

## Top Assembly

### Included Items Kit

28.9663.0001 Rev J

Refer to [Figure 3-5](#).

No.	Item	Qty.	UM.	Description
1	02.8001.0001	1	EA	PRODUCT SUPPORT SHEET, VARI-LITE CUSTOMER SERVICE
2	02.8052.0001	1	EA	CARD, LIMITED WARRANTY 09-09-02
3	02.8700.0001	1	EA	CARD, PRODUCT REGISTRATION - VL2000
4	02.9663.0002	1	EA	UNPACK/QUICK START SHEET, VL1000
5	07.9663.0032	1	EA	SHIPPING BOX, CARDBOARD - VL1000 (changed 03-05-04)
6	08.1000.0001	1	EA	CD ROM, VL1000 PRODUCT, DOCUMENTATION
7	52.6541.0001	1	EA	CONN, BLUE CABLE PWR INLET 3-POLE LOCKING - POWERCON
-	52.6541.0002	1	EA	CONN, WHITE CABLE PWR INLET (240V W/ INTG DIMMER ONLY - NOT SHOWN)
8	53.6505.0027	1	EA	BOLT, 1/2" X 13 X 1" LG HX HD ZINC (AS/AI ONLY)
-	53.6523.0013	8	EA	SCREW, 6-32 X 3/8" PTB (NOT SHOWN)
9	55.6539.0001	1	EA	WASHER, 1/2" SPLIT LOCK (AS/AI ONLY)
10	71.2554.0115	1	EA	1000 WATT INCANDESCENT LAMP, 115 VAC (TS/TI ONLY)
	71.2554.0240	1	EA	1000 WATT INCANDESCENT LAMP, 240 VAC (TS/TI ONLY)
	71.2528.0575	1	EA	575 WATT ARC LAMP (AS/AI ONLY)

### Included Items Kit (continued)

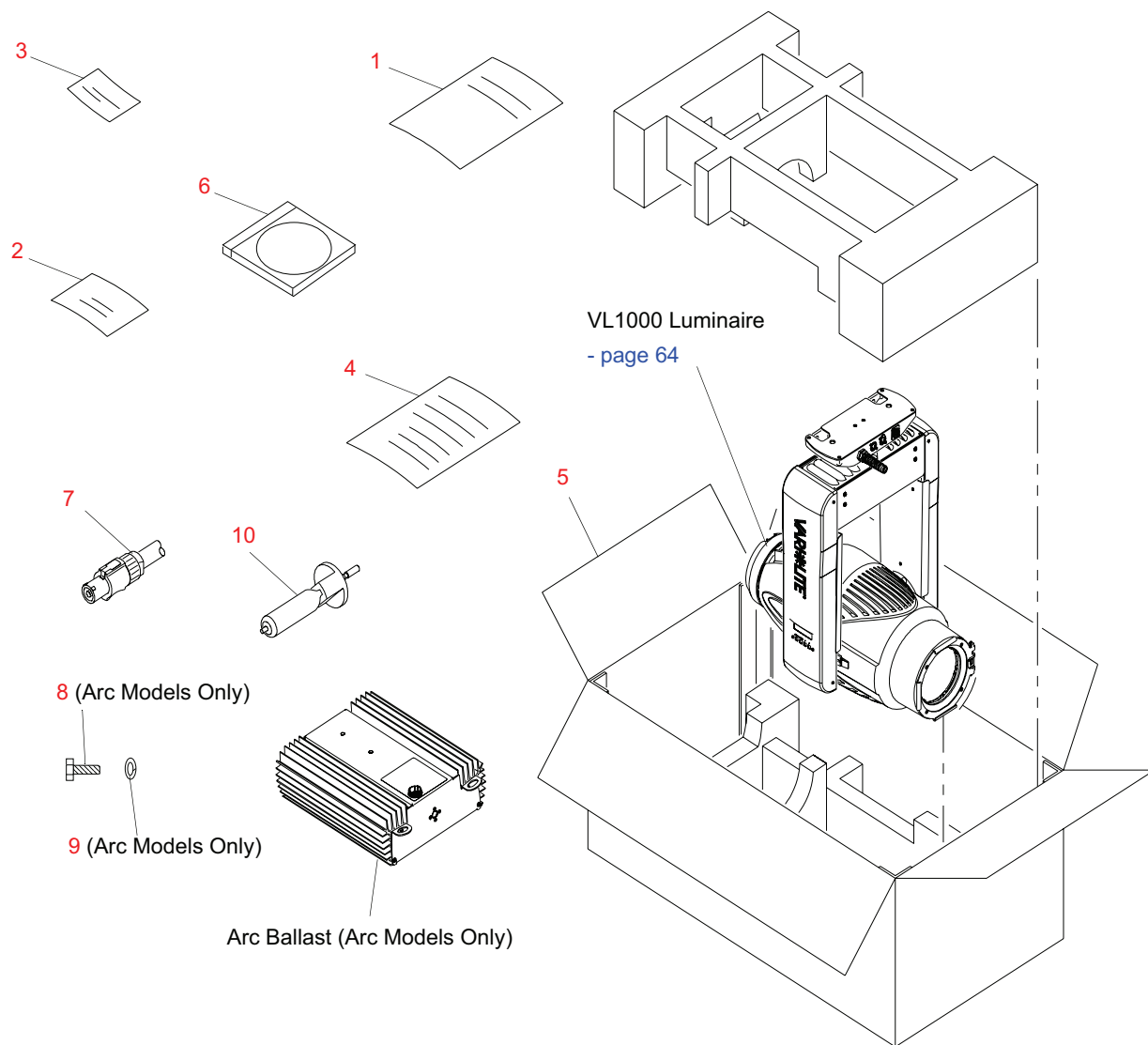


Figure 3-5: Included Items

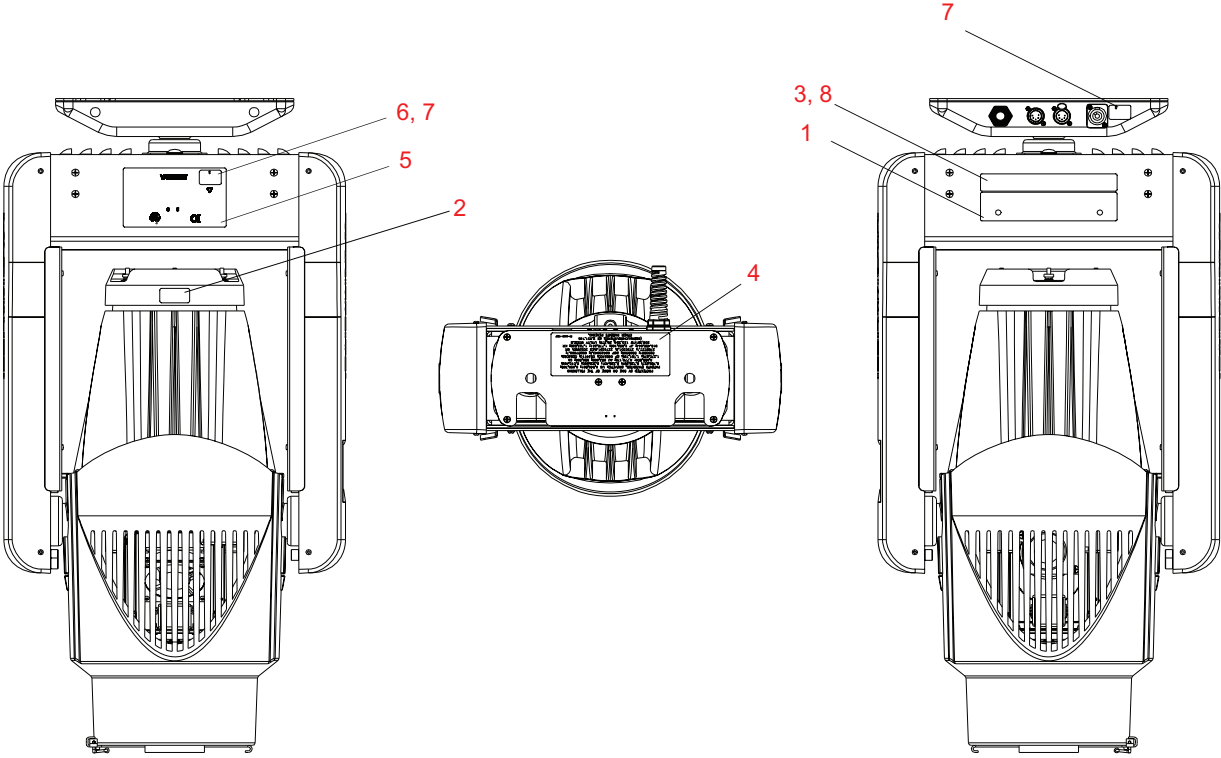
## Label Locations

### Rev D

Refer to [Figure 3-6](#).

No.	Item	Qty.	UM.	Description
1	04.9661.0033.01	1	EA	LABEL, WARNING -2000 SERIES
2	04.9661.0034	1	EA	LABEL, RELAMPING -2000 SERIES
3	04.9661.0037	1	EA	LABEL, 625W ARC -2400 SERIES (AI/AS ONLY)
4	04.9663.1837	1	EA	LABEL, PATENT
5	04.9663.1860	1	EA	LABEL, 1000 SERIES COMPLIANCE
6	04.9663.1862	1	EA	LABEL, AC INPUT RATING LABEL MODEL VL1000TS
	04.9663.1864	1	EA	LABEL, AC INPUT RATING LABEL MODEL VL1000AS
	04.9663.1873	1	EA	LABEL, AC INPUT RATING LABEL MODEL VL1000TI
	04.9663.1874	1	EA	LABEL, AC INPUT RATING LABEL MODEL VL1000AI
7	04.9663.1881	2	EA	LABEL, AC INPUT RATING LABEL MODEL VL1000TXD
	04.9663.1882	2	EA	LABEL, AC INPUT RATING LABEL MODEL VL1000TSD
	04.9663.1883	2	EA	LABEL, AC INPUT RATING LABEL MODEL VL1000TID
	04.9663.1884	2	EA	LABEL, AC INPUT RATING LABEL MODEL VL1000TXD230
	04.9663.1885	2	EA	LABEL, AC INPUT RATING LABEL MODEL VL1000TSD230
	04.9663.1886	2	EA	LABEL, AC INPUT RATING LABEL MODEL VL1000TID230
8	04.9663.1865	1	EA	LABEL, 1000 SERIES INCANDESCENT (TI/TS ONLY)
9	04.9663.1920	1	EA	LABEL, PRODUCT VL1000APS (AI/AS ONLY - NOT SHOWN)

**Label Locations (continued)**



**Figure 3-6: Label Locations**

## VL1000 Luminaire

**20.9663.0001.02 (TS) Rev M**  
**20.9663.0001.03 (TI) Rev M**  
**20.9663.0001.12 (AS) Rev M**  
**20.9663.0001.13 (AI) Rev M**  
**20.9663.0001.22 (TSD) Rev M**  
**20.9663.0001.23 (TID) Rev M**  
**20.9663.0001.32 (TSE) Rev M**  
**20.9663.0001.33 (TIE) Rev M**

Refer to [Figure 3-7](#)

No.	Item	Qty.	UM.	Description
1	10.9663.1823	1	EA	PULLEY, TILT
2	10.9663.1824	1	EA	SPACER, TILT TUBE
3	10.9663.1831	1	EA	PLATE, YOKE ARM DISPLAY
4	10.9663.1832	1	EA	OVERLAY, DISPLAY
5	10.9663.1835	1	EA	COVER, YOKE ARM DISPLAY SIDE
6	10.9663.1836	1	EA	COVER, YOKE ARM NO DISPLAY (TS/TI/AS/AI ONLY)
7	10.9663.1874	1	EA	COVER, YOKE ARM DIM SIDE (TSD/TID/TSE/TIE ONLY)
8	<a href="#">21.9663.1000.02</a>	1	EA	ASSY, HEAD W/ SHUTTER (TS/TSD/TSE ONLY)
	<a href="#">21.9663.1000.03</a>	1	EA	ASSY, HEAD W/ IRIS (TI/TID/TIE ONLY)
	<a href="#">21.9663.1000.12</a>	1	EA	ASSY, HEAD ARC, W/ SHUTTER (AS ONLY)
	<a href="#">21.9663.1000.13</a>	1	EA	ASSY, HEAD ARC W/ IRIS (AI ONLY)
9	<a href="#">21.9663.1811.01</a>	1	EA	ASSY, CROSSMEMBER (TI/TS ONLY)
	<a href="#">21.9663.1811.11</a>	1	EA	ASSY, CROSSMEMBER (AI/AS ONLY)
	<a href="#">21.9663.1811.21</a>	1	EA	ASSY, CROSSMEMBER, 115V DIMMER (TSD/TID ONLY)
	<a href="#">21.9663.1811.31</a>	1	EA	ASSY, CROSSMEMBER, 230V DIMMER (TSE/TIE ONLY)
10	<a href="#">21.9663.1845</a>	1	EA	ASSY, COT FLAG
11	<a href="#">21.9663.1850.01</a>	1	EA	ASSY, YOKE LEGS (TI/TS ONLY)
	<a href="#">21.9663.1850.11</a>	1	EA	ASSY, YOKE LEGS (AI/AS ONLY)
	<a href="#">21.9663.1850.21</a>	1	EA	ASSY, YOKE LEGS W/ 115V DIMMER (TSD/TID ONLY)
	<a href="#">21.9663.1850.31</a>	1	EA	ASSY, YOKE LEGS W/ 230V DIMMER (TSE/TIE ONLY)
12	<a href="#">22.9663.1038</a>	1	EA	ASSY, FRONT COVER
13	<a href="#">24.9663.3930</a>	1	EA	PCB ASSY, VL1000 CONTROLLER
-	<a href="#">25.9663.2019</a>	1	EA	CABLE ASSY, YOKE TO HEAD GROUND - NOT SHOWN
-	<a href="#">25.9663.2036</a>	1	EA	CABLE ASSY, IGNITOR TO LAMP (AI/AS ONLY)- NOT SHOWN
-	<a href="#">25.9663.2050</a>	1	EA	CABLE ASSY, COLOR/GOBO/LENS HARNESS - NOT SHOWN
14	53.2019.0004	4	EA	NUT, 3/8-16 X 7/32"THK HEX JAM GRD5 ZINC PLT

No.	Item	Qty.	UM.	Description
15	53.6517.0001	3	EA	SCREW, 10-32 X 3/8"LG PPZ
16	53.6543.0001	4	EA	SCREW, 6-32 X 3/8" PPB
17	53.6614.0001	3	EA	SCREW, 6-32 X 5/8" PPB
18	53.6627.0001	12	EA	SCREW, 10-32 X 5/8" PPB
19	53.6634.0003	4	EA	SCREW, 3/8-16 X 1/2"LG SOC HD CAP ALLY STL
20	53.6642.0001	3	EA	SCREW, 10-32 X 5/8" SLF TAP TYPE F PPZ
21	54.1255.0001	2	EA	BEARING ASSY, BLACK FLUSH MOUNT HOUSING
22	54.2047.0039	1	EA	BELT, TIMING GT 3MM PITCH 350GRV 6MM WD NEOPRENE
23	55.2115.0001	4	EA	WASHER, 3/8 X .04 THK HEX JAM
24	53.6523.0013	8	EA	SCREW, 6-32 X 3/8" PTB
25	21.9663.1901	1	EA	BALLAST ASSEMBLY (AI/AS ONLY)
-	<a href="#">25.9663.1907</a>	1	EA	CABLE ASSY, 575W BALLAST I/O (AI/AS ONLY)- NOT SHOWN

## VL1000 Luminaire (continued)

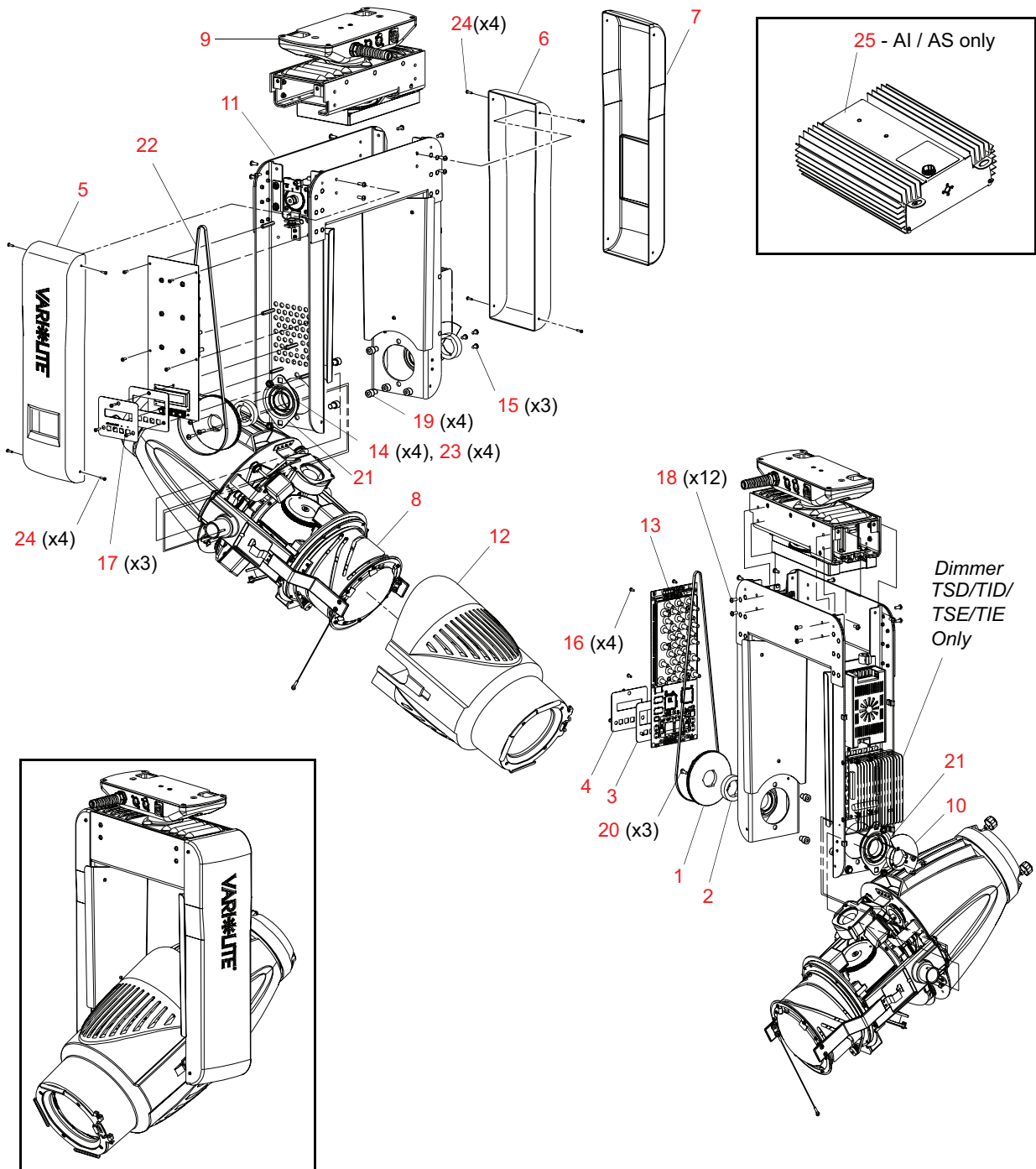


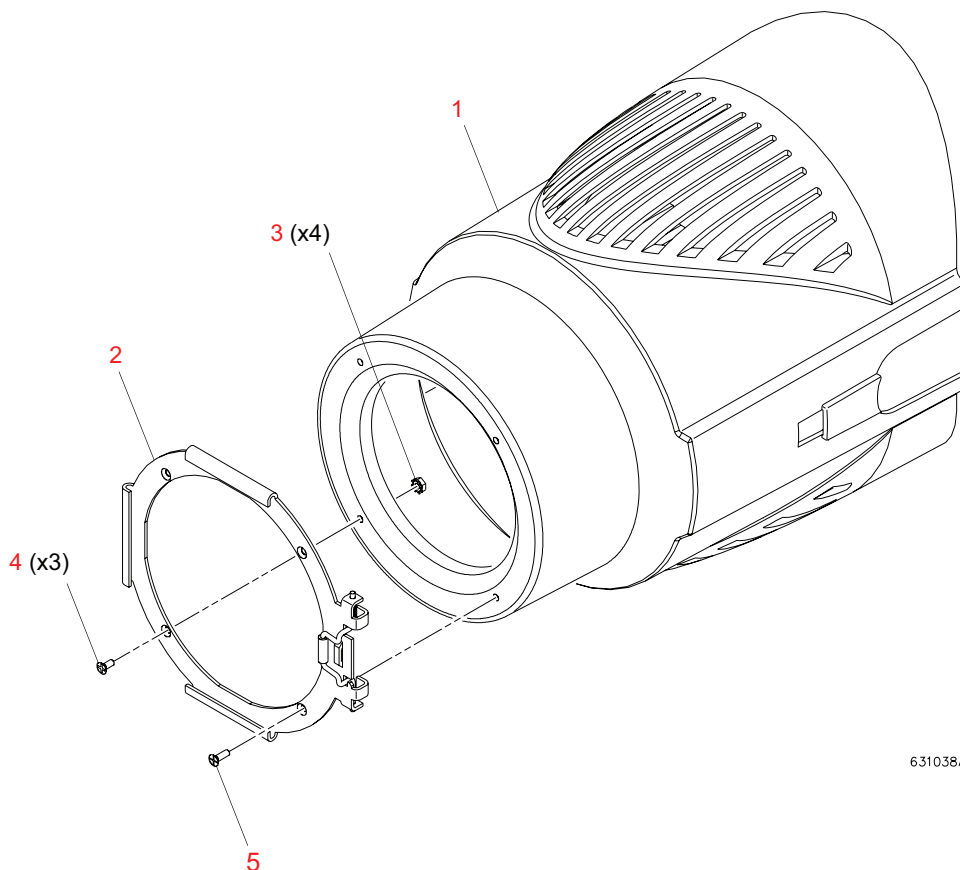
Figure 3-7: VL1000 Luminaire

## Front Cover Assembly

**22.9663.1038 Rev B**

Refer to [Figure 3-8](#).

No.	Item	Qty.	UM.	Description
1	10.9663.1020	1	EA	COVER, FRONT VL1000
2	<a href="#">21.9663.1028</a>	1	EA	ASSY, GEL FRAME HOLDER
3	53.2004.0002	4	EA	NUT, 8-32 KEPS, ZINC PLATE (changed 09-02-03)
4	53.6545.0007	3	EA	SCREW, 8-32 X 3/8" PFB
5	53.6552.0002	1	EA	SCREW, 8-32 X 1/2" PFB



**Figure 3-8: Front Cover Assembly**



## Gel Frame Holder Assembly

21.9663.1028 Rev A

Refer to [Figure 3-9](#).

No.	Item	Qty.	UM.	Description
1	10.9663.1027	1	EA	HOLDER, GEL FRAME
2	10.9663.1031	1	EA	LATCH, GEL FRAME
3	55.6568.0026	1	EA	SPRING, CPRSN .180"OD .810"LG .026" WIRE DIA SS
4	55.6738.0003	.06	FT	TUBING, SILICONE RUBBER 1/8"ID X 1/4"OD TRANSLUCENT

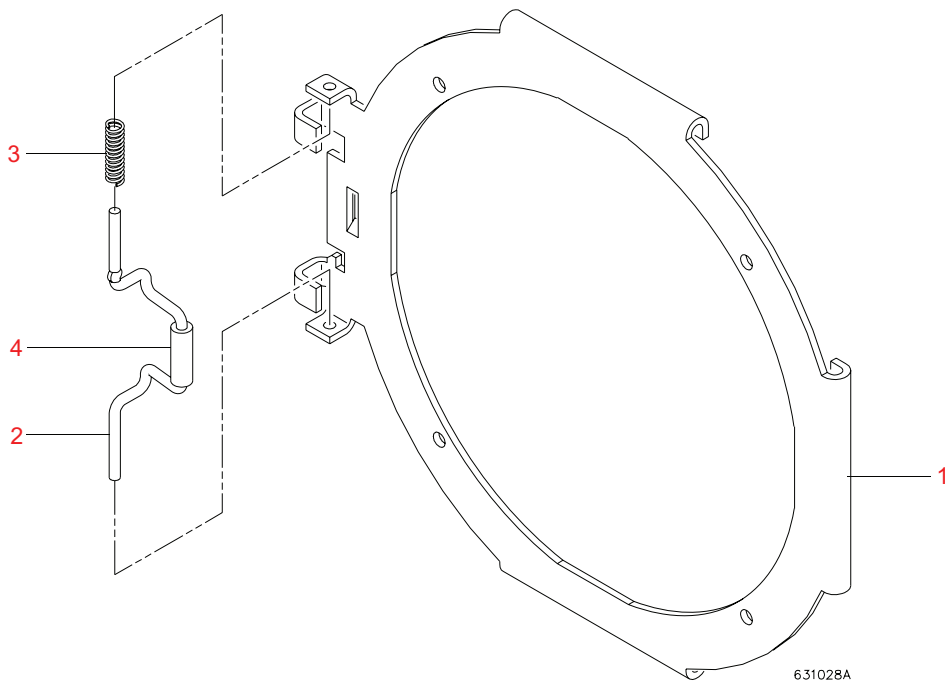


Figure 3-9: Gel Frame Holder Assembly

## COT (Center of Travel) Flag Assembly

21.9663.1845 Rev 0

Refer to [Figure 3-10](#).

No.	Item	Qty.	UM.	Description
1	10.9663.1824	1	EA	SPACER, TILT TUBE
2	10.9663.1826	1	EA	FLAG, CENTER OF TRAVEL -TILT
3	53.6602.0001	3	EA	SCREW, 4-40 X 1/4 " PPZ TYPE F

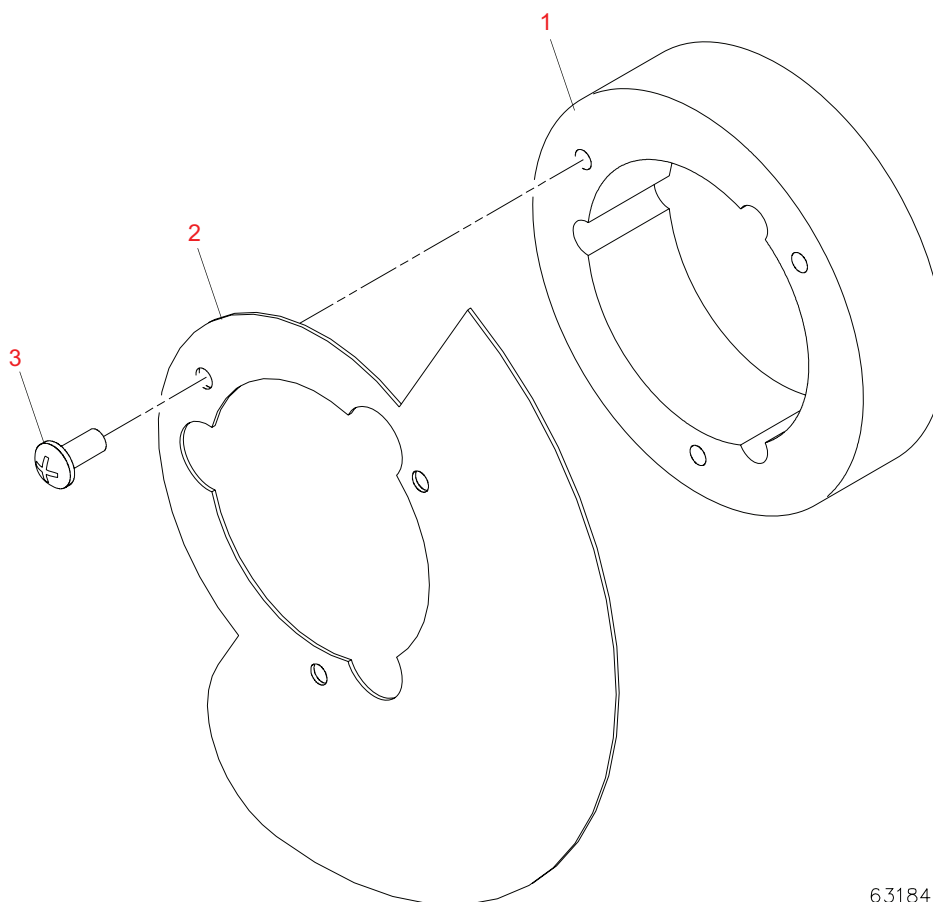


Figure 3-10: COT Flag Assembly

## Notes

# Head Assembly

## Head Assembly

**21.9663.1000.02 (TS) Rev B**

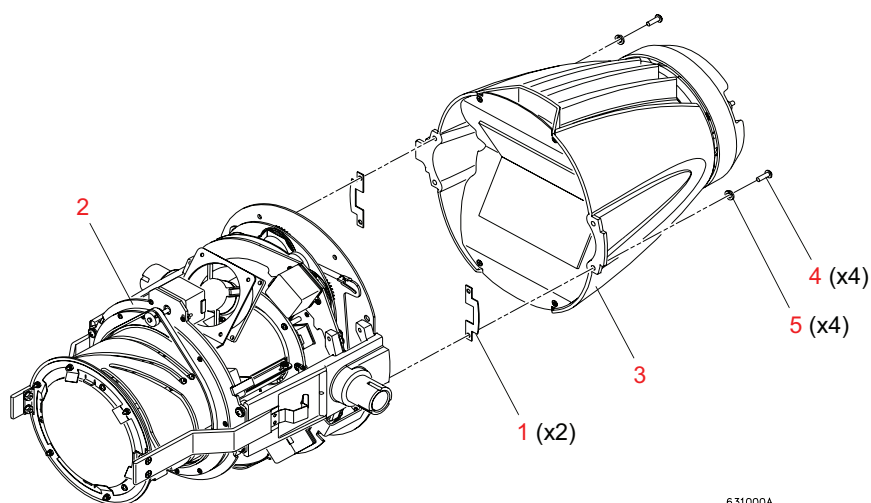
**21.9663.1000.03 (TI) Rev B**

**21.9663.1000.12 (AS) Rev B**

**21.9663.1000.13 (AI) Rev B**

Refer to [Figure 3-11](#).

No.	Item	Qty.	UM.	Description
1	10.9663.1032	2	EA	SPACER, SIDE RAIL (TS ONLY)
		4	EA	SPACER, SIDE RAIL (AS ONLY)
2	<a href="#">21.9663.1001.02</a>	1	EA	ASSY, FRONT HEAD (TS ONLY)
	<a href="#">21.9663.1001.03</a>	1	EA	ASSY, FRONT HEAD (TI ONLY)
	<a href="#">21.9663.1001.12</a>	1	EA	ASSY, FRONT HEAD (AS ONLY)
	<a href="#">21.9663.1001.13</a>	1	EA	ASSY, FRONT HEAD (AI ONLY)
3	<a href="#">21.9663.1002.01</a>	1	EA	ASSY, REAR HEAD (TS ONLY)
	<a href="#">21.9663.1002.11</a>	1	EA	ASSY, REAR HEAD (AS ONLY)
4	53.6627.0001	4	EA	SCREW, 10-32 X 5/8" PPB
5	55.3303.0010	4	EA	WASHER, #10 .438"OD .040"THK SPLIT LOCK SS



631000A

**Figure 3-11: Head Assembly**

## Front Head Assembly

**21.9663.1001.02 (TS) Rev H**

**21.9663.1001.03 (TI) Rev H**

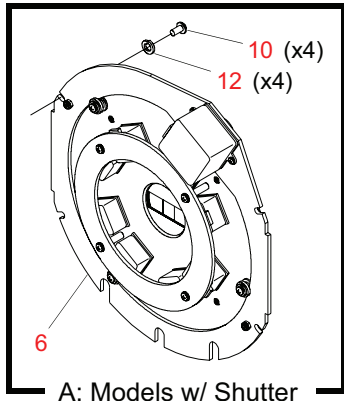
**21.9663.1001.12 (AS) Rev H**

**21.9663.1001.13 (AI) Rev H**

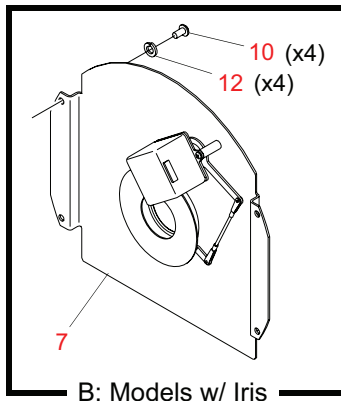
Refer to [Figure 3-12](#).

No.	Item	Qty.	UM.	Description
1	07.5049.0001	1	EA	LANYARD, NYLON COATED 8" LG
2	<a href="#">21.9663.1003</a>	1	EA	ASSY, EDGE, ZOOM & COLOR
3	<a href="#">21.9663.1033</a>	1	EA	ASSY, SIDE RAIL, PULLEY
4	<a href="#">21.9663.1034</a>	1	EA	ASSY, SIDE RAIL, SENSOR
5	<a href="#">21.9663.1200</a>	1	EA	ASSY, GOBO BULKHEAD, INCANDESCENT <b>(TS ONLY)</b>
	<a href="#">21.9663.1600</a>	1	EA	ASSY, GOBO/DIMMER BULKHEAD, ARC <b>(AS ONLY)</b>
6	<a href="#">21.9663.1350</a>	1	EA	ASSY, SHUTTER 6 ROLLERS <b>(TS/AS ONLY) (NEW VERSION)</b>
7	<a href="#">21.9663.1400</a>	1	EA	ASSY, IRIS <b>(TI/AI ONLY)</b>
8	53.6552.0002	4	EA	SCREW, 8-32 X 1/2" PFB
9	53.2004.0002	4	EA	NUT, 8-32 KEPS ZINC PLATE
10	53.6627.0001	12	EA	SCREW, 10-32 X 5/8" PPB
11	55.2179.0006	3	EA	SADDLE WIRE BLIND HOLE .79" (added 12-09-02)
12	55.3303.0010	12	EA	WASHER, #10 .438"OD .040THK SPLIT LOCK SS

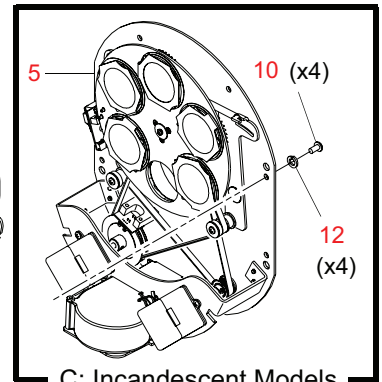
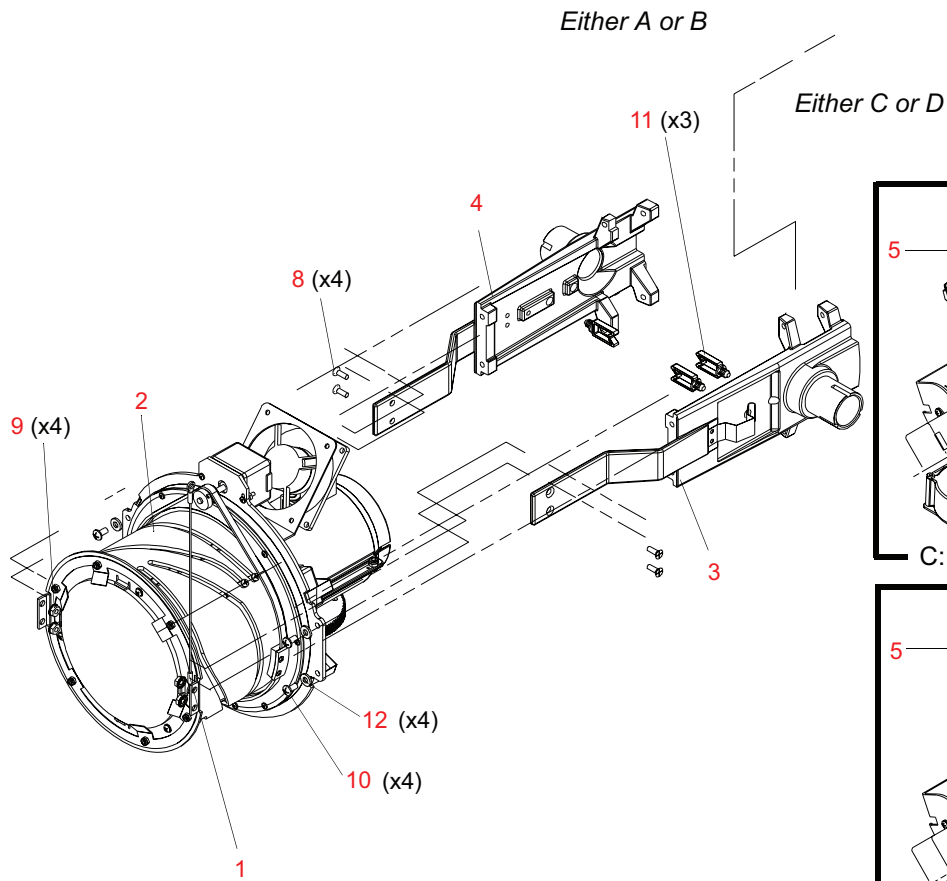
**Front Head Assembly (continued)**



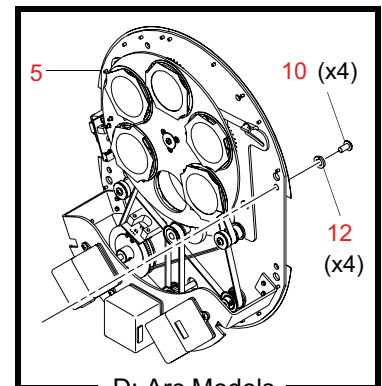
A: Models w/ Shutter



B: Models w/ Iris



C: Incandescent Models



D: Arc Models

**Figure 3-12: Front Head Assembly**

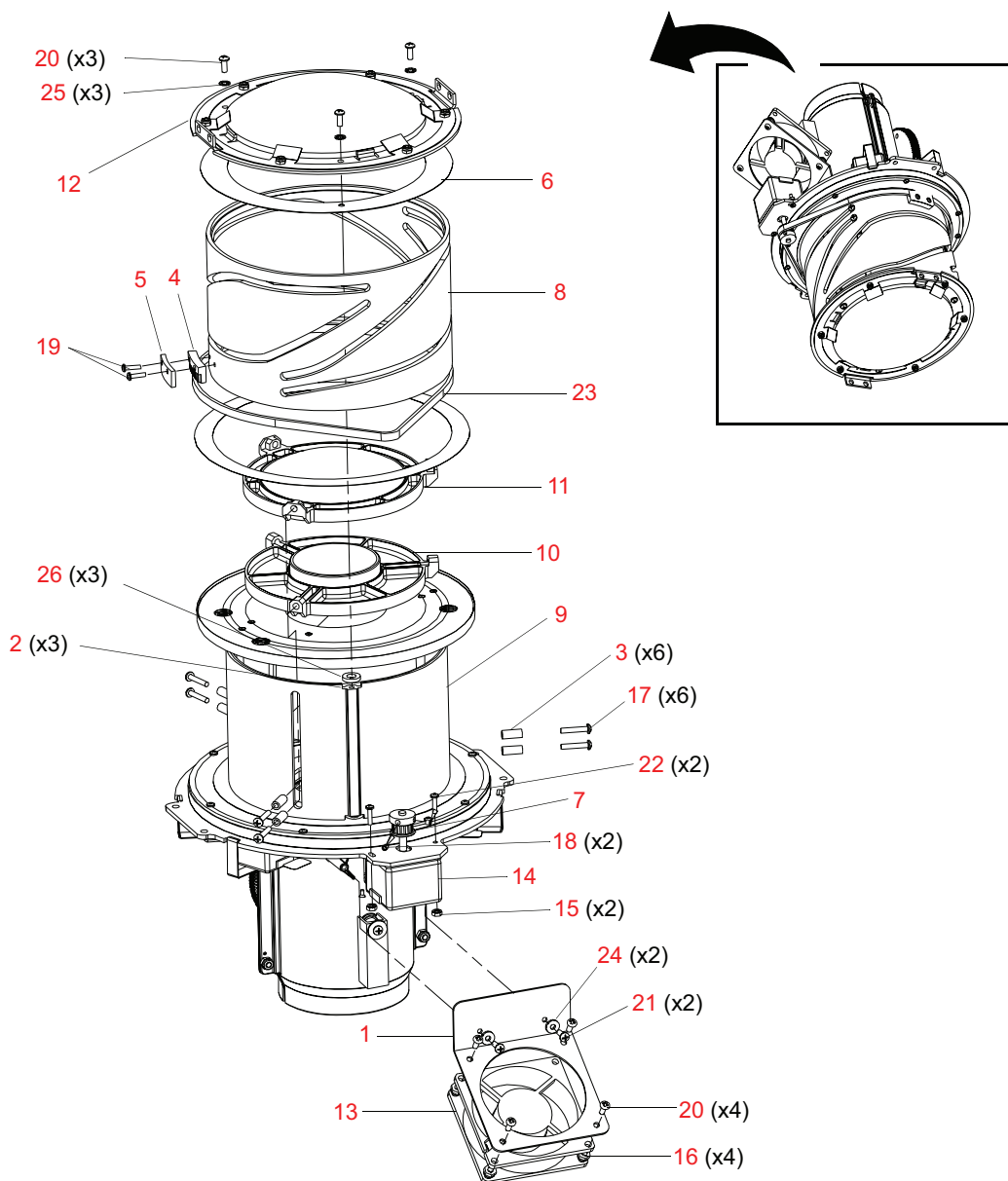
## Edge Control, Zoom, Dimmer & Color Assembly

**21.9663.1003 Rev E**

Refer to [Figure 3-13](#).

No.	Item	Qty.	UM.	Description
1	10.9663.1039	1	EA	SUPPORT, AXIAL FAN
2	10.9663.1755	3	EA	ROLLER, BARREL
3	10.9663.1756	6	EA	ROLLER, LENS
4	10.9663.1757	1	EA	CLAMP, BELT BASE
5	10.9663.1758	1	EA	BELT CLAMP
6	10.9663.1767	1	EA	ZOOM TEFLON SPACER
7	10.9663.1790	1	EA	BELT PULLEY, GT 3MM PITCH 16 GROOVES
8	12.9663.1754	1	EA	MACHINED EXTRUSION, OUTER BARREL ZOOM
9	<a href="#">21.9663.1500</a>	1	EA	ASSY, COLOR CHANGER
10	<a href="#">21.9663.1760</a>	1	EA	ASSY, LENS #6
11	<a href="#">21.9663.1770</a>	1	EA	ASSY, LENS #7
12	<a href="#">21.9663.1780</a>	1	EA	ASSY, LENS #8
13	<a href="#">23.9663.2009</a>	1	EA	ASSY, FAN
14	44.9663.1766	1	EA	MOTOR, 17 1.24" SHAFT 11.8MH 5.5 OHM
15	53.2003.0001	2	EA	NUT, 4-40 KEP ZINC PLATED
16	53.2202.0006	4	EA	NUT, 6-32 HEX SS NYLON INSERT
17	53.5506.0750	6	EA	SCREW, 6-32 X 3/4 " PPSS
18	55.5559.0250	2	EA	SCREW, 6-32 X 1/4" SET CONE (added 08-28-03)
19	53.5604.0437	2	EA	SCREW, 4-40 X 7/16"LG PPSS BLACK
20	53.5606.0375	7	EA	SCREW, 6-32 X 3/8 " PPSS BLACK
21	53.6558.0003	2	EA	SCREW, 6-32 X 3/8" PPZ PLASTIC THREAD ROLLING
22	53.6567.0001	2	EA	SCREW, 4-40 X 1/2" PPZ
23	54.2048.0002	1	EA	BELT, TIMING HTD 3MMPITCH 195 GROOVE 6MMWIDE
24	55.3301.0006	2	EA	WASHER, #6 FLAT SS
25	55.3303.0006	3	EA	WASHER, #6 LOCK INT. TOOTH SS
26	55.6588.0003	3	EA	SPACER, 1/4"RND #6 THRU 1/8"LG .140"ID ZINC PLT BRS

**Edge Control, Dimmer & Color Assembly (continued)**



**Figure 3-13: Edge Control, Dimmer & Color Assembly**



## Color Changer Assembly

### 21.9663.1500 Rev N

Refer to [Figure 3-14](#).

No.	Item	Qty.	UM.	Description
1	04.9663.1524	1	EA	LABEL, MAGENTA MOTOR
2	04.9663.1525	1	EA	LABEL, BLUE MOTOR
3	04.9663.1526	1	EA	LABEL, AMBER MOTOR
4	04.9663.1527	1	EA	LABEL, DIFFUSER MOTOR
5	10.9663.1505	4	EA	DRIVE RING
6	10.9663.1506	1	EA	DIFFUSER COVER PLATE
7	10.9663.1507	2	EA	COLOR SEPERATOR
8	10.9663.1508	1	EA	MOTOR MOUNT PLATE
9	10.9663.1509	1	EA	COLOR COVER PLATE, LINER SHEET
-	10.9663.1510	1	EA	DIFFUSER COVER PLATE LINER SHEET ( <b>NOT SHOWN</b> )
10	10.9663.1511	3	EA	COLOR SPACER 1
11	12.9663.1512	1	EA	DRIVE RING LOCATOR, MACHINED
12	10.9663.1514	3	EA	COLOR SPACER 2
13	10.9663.1515	1	EA	DIFFUSER SPACER 1
14	10.9663.1516	1	EA	DIFFUSER SPACER 2
15	10.9663.1518	4	EA	COLOR MOTOR MOUNT CLIP
16	10.9663.1521	1	EA	COLOR COVER PLATE, LINER SHEET
17	10.9663.1522	1	EA	DIFFUSER COVER PLATE, LINER SHEET
18	10.9663.1532	2	EA	RING SPACER
19	10.9663.1755	3	EA	ROLLER, BARREL
20	10.9663.1767	1	EA	ZOOM TEFLON SPACER
21	12.9663.1752	1	EA	MACHINED EXTRUSION, INNER BARREL ZOOM
22	44.9663.1539	4	EA	MOTOR SIZE 14, 10.8MH, 10.1 OHM WITH SPUR GEAR
23	<a href="#">21.9663.1534</a>	1	EA	ASSY, COVER PLATE
24	21.9663.1538.01	2	EA	ASSY, MAGENTA COLOR FILTER
25	21.9663.1538.02	2	EA	ASSY, BLUE COLOR FILTER
26	21.9663.1538.03	2	EA	ASSY, AMBER COLOR FILTER
27	21.9663.1538.04	2	EA	ASSY, DIFFUSER GLASS RIGHT
28	<a href="#">21.9663.1710</a>	1	EA	ASSY, BARREL
29	53.2002.0003	4	EA	NUT, 6-32 HEX ZINC NYLON INSERT

<b>No.</b>	<b>Item</b>	<b>Qty.</b>	<b>UM.</b>	<b>Description</b>
30	53.2200.0004	8	EA	NUT, 4-40 KEPS SS
31	53.5636.0375	3	EA	SCREW, 6-32 X 3/8 " PFSS BLACK
32	53.6556.0001	8	EA	SCREW, 4-40 X 3/4"LG PPZ
33	55.6588.0003	3	EA	SPACER, 1/4"RND #6 THRU 1/8"LG .140"ID ZINC PLT BRS
34	10.9663.1537	1	EA	DRIVE RING LOCATOR BEARING

## Color Changer Assembly (continued)

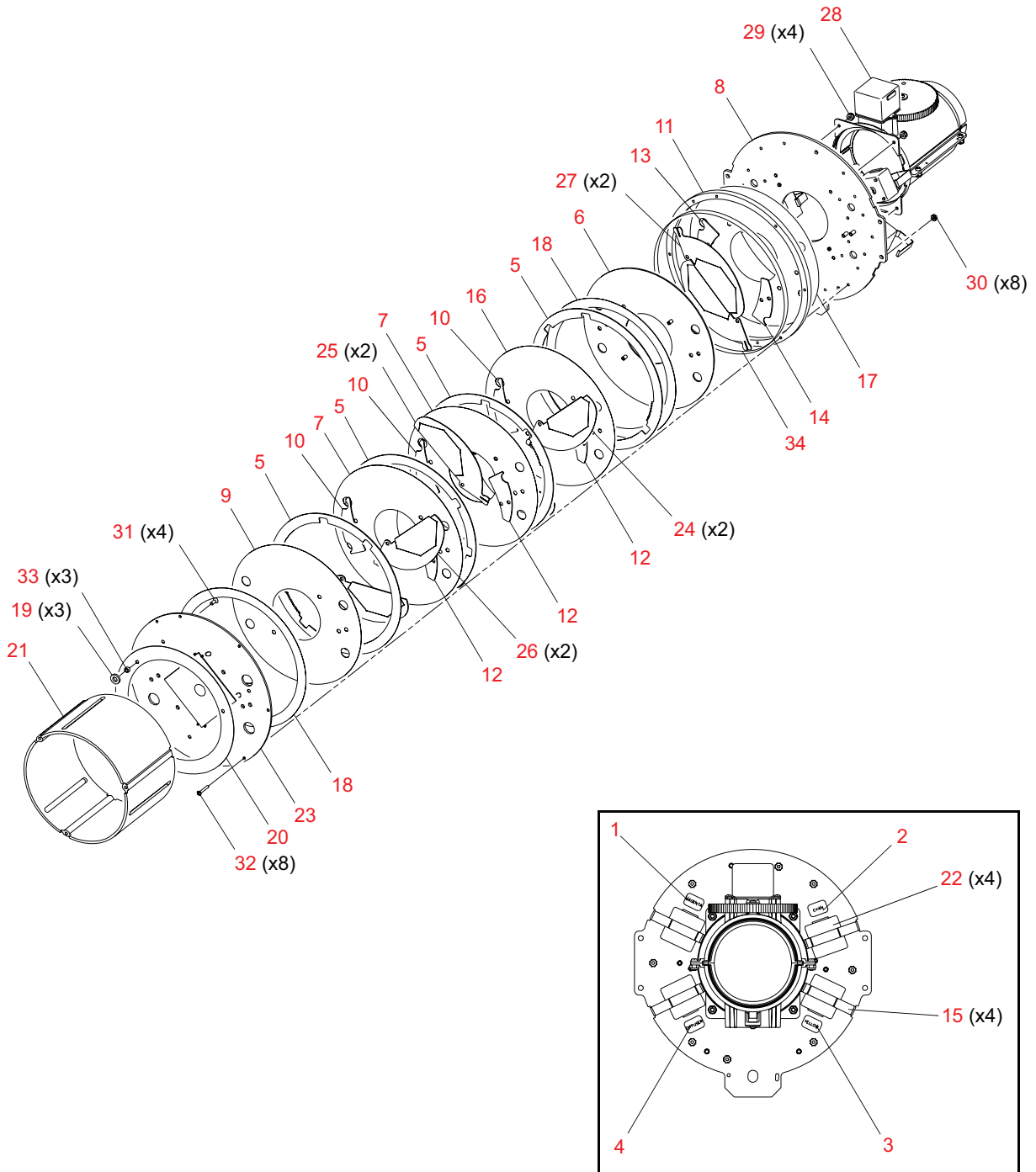


Figure 3-14: Color Changer Assembly

## Cover Plate Assembly

21.9663.1534 Rev 0

Refer to [Figure 3-15](#).

No.	Item	Qty.	UM.	Description
1	10.9663.1517	1	EA	COVER PLATE, COLOR CHANGER
2	10.9663.1535	1	EA	DISC, .63 DIA ALUM
3	41.9663.1530	1	EA	GLASS, BEAM OCCLUSION
4	53.6659.0008	4	EA	SCREW, 2-56 X 3/16" PFZ

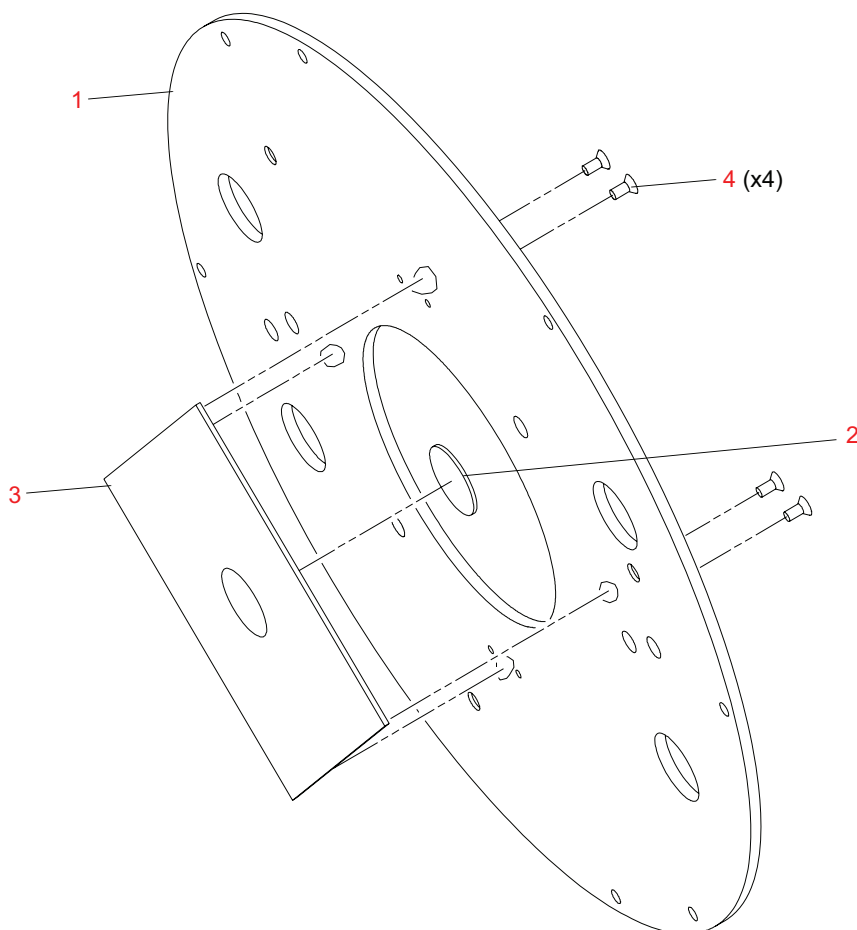


Figure 3-15: Cover Plate Assembly

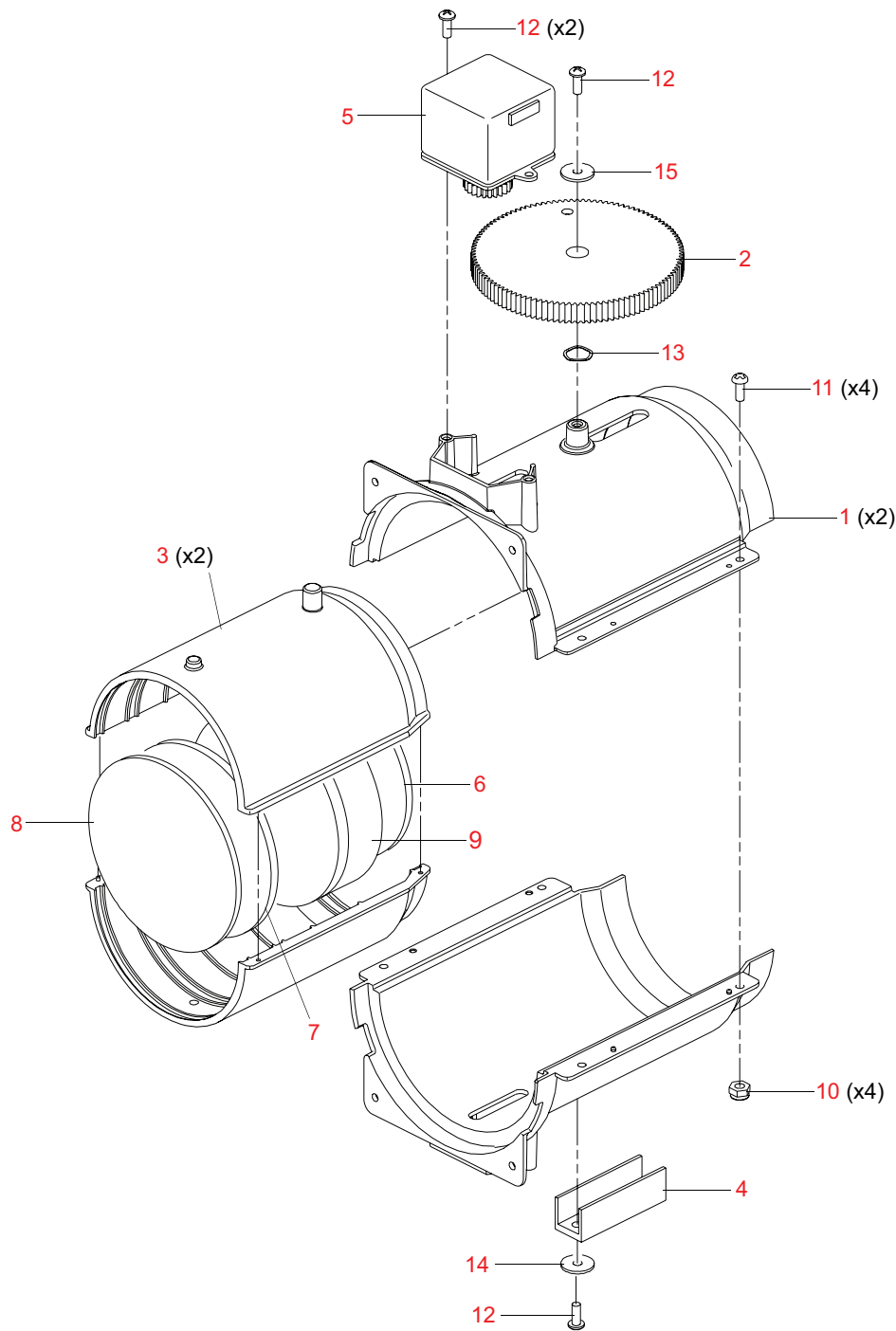
## Edge Barrel Assembly

### 21.9663.1710 Rev C

Refer to [Figure 3-16](#).

No.	Item	Qty.	UM.	Description
1	10.9663.1701	2	EA	BARREL, HALF OUTER LENS EDGE SYSTEM
2	10.9663.1708	1	EA	EDGE GEAR/CAM, 8 ELEMENT SYSTEM
3	10.9663.1711	2	EA	BARREL, HALF INNER LENS EDGE SYSTEM
4	10.9663.1737	1	EA	EDGE, LIGHT BAFFLE
5	21.9663.1722	1	EA	ASSY, EDGE MOTOR
6	42.9663.1728	1	EA	LENS #1
7	42.9663.1731	1	EA	LENS #4
8	42.9663.1732	1	EA	LENS #5
9	42.9663.1736	1	EA	ASSY, LENS #2 & #3
10	53.2202.0006	4	EA	NUT, 6-32 HEX SS NYLON INSERT
11	53.6558.0001	4	EA	SCREW, 6-32 X 3/8" PPZ
12	53.6558.0003	4	EA	SCREW, 6-32 X 3/8" PPZ PLASTIC THREAD ROLLING
13	55.2123.0012	1	EA	WASHER, WAVE SPRING .484"OD .397"ID .009"THK CSTL
14	55.6636.0003	2	EA	WASHER, .562"OD .156"ID .046"THK #6 FLAT ZINC PLT

**Barrel Assembly (continued)**



**Figure 3-16: Edge Barrel Assembly**

## Lens #6 Assembly

21.9663.1760 Rev 0

Refer to [Figure 3-17](#).

No.	Item	Qty.	UM.	Description
1	10.9663.1761	1	EA	LENS CARRIER, MOLDED -LENS #6 ASSY
2	42.9663.1733	1	EA	LENS #6

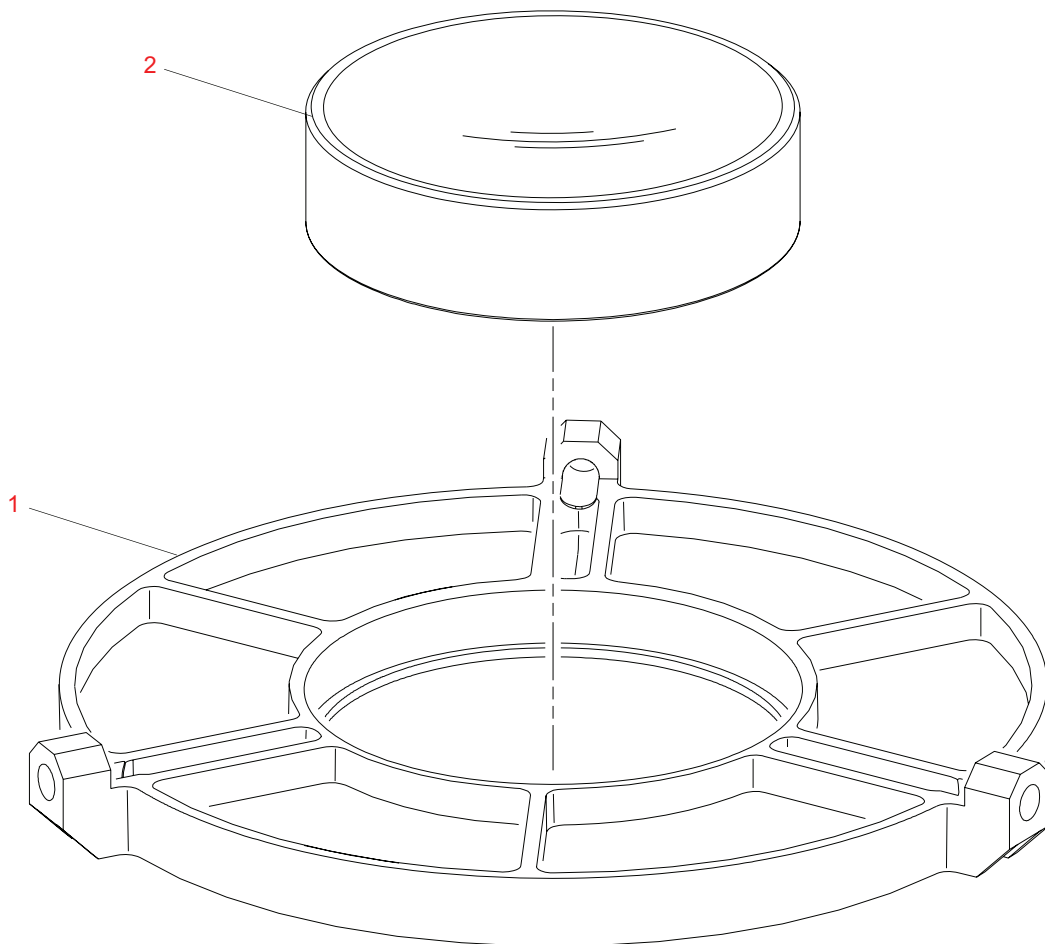


Figure 3-17: Lens #6 Assembly

## Lens #7 Assembly

21.9663.1770 Rev 0

Refer to [Figure 3-18](#).

No.	Item	Qty.	UM.	Description
1	10.9663.1771	1	EA	LENS CARRIER, MOLDED -LENS #7
2	42.9663.1734	1	EA	LENS #7

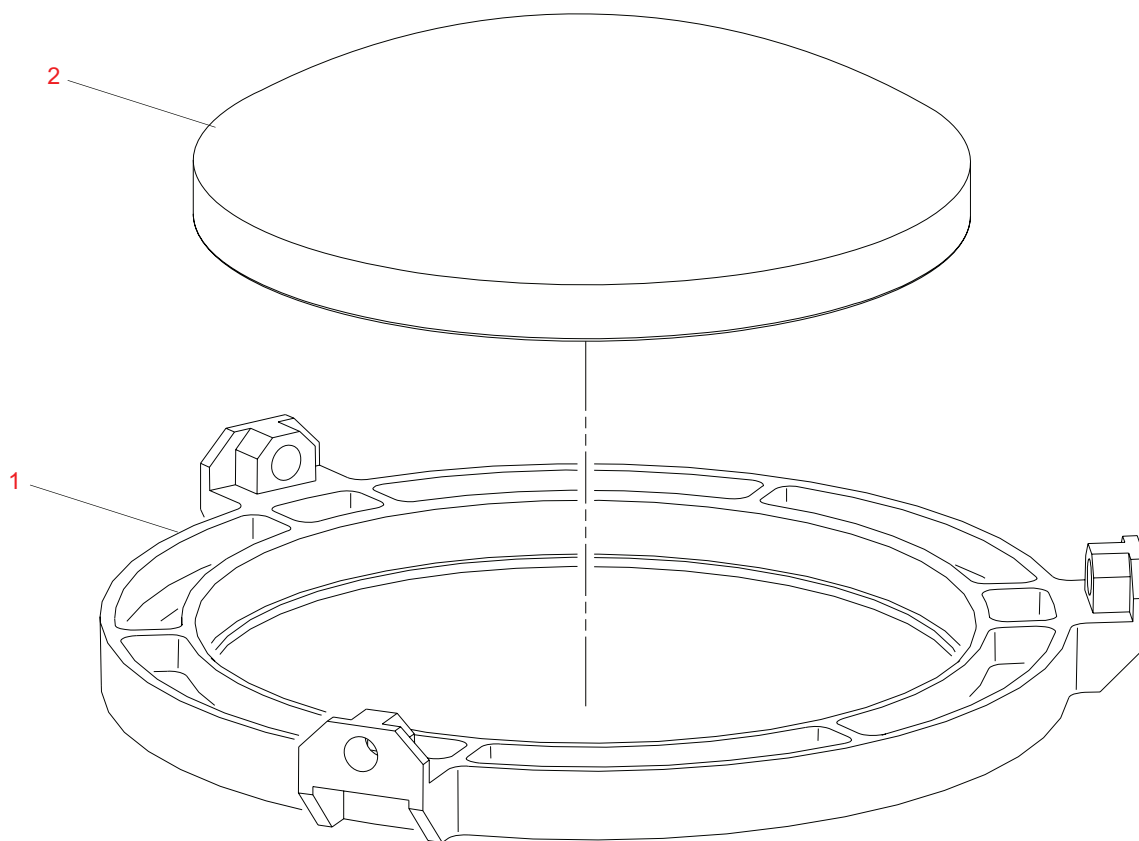


Figure 3-18: Lens #7 Assembly



## Lens #8 Assembly

21.9663.1780 Rev B

Refer to [Figure 3-19](#).

No.	Item	Qty.	UM.	Description
1	10.9663.1782	1	EA	RING, RETAINING FRONT LENS
2	10.9663.1781	1	EA	BULKHEAD, FRONT -LENS #8 ASSY
3	42.9663.1735	1	EA	LENS #8
4	53.2202.0004	6	EA	NUT, 4-40 HEX SS NYLON INSERT
5	53.6559.0001	6	EA	SCREW, 4-40 X 1/4" PFZ

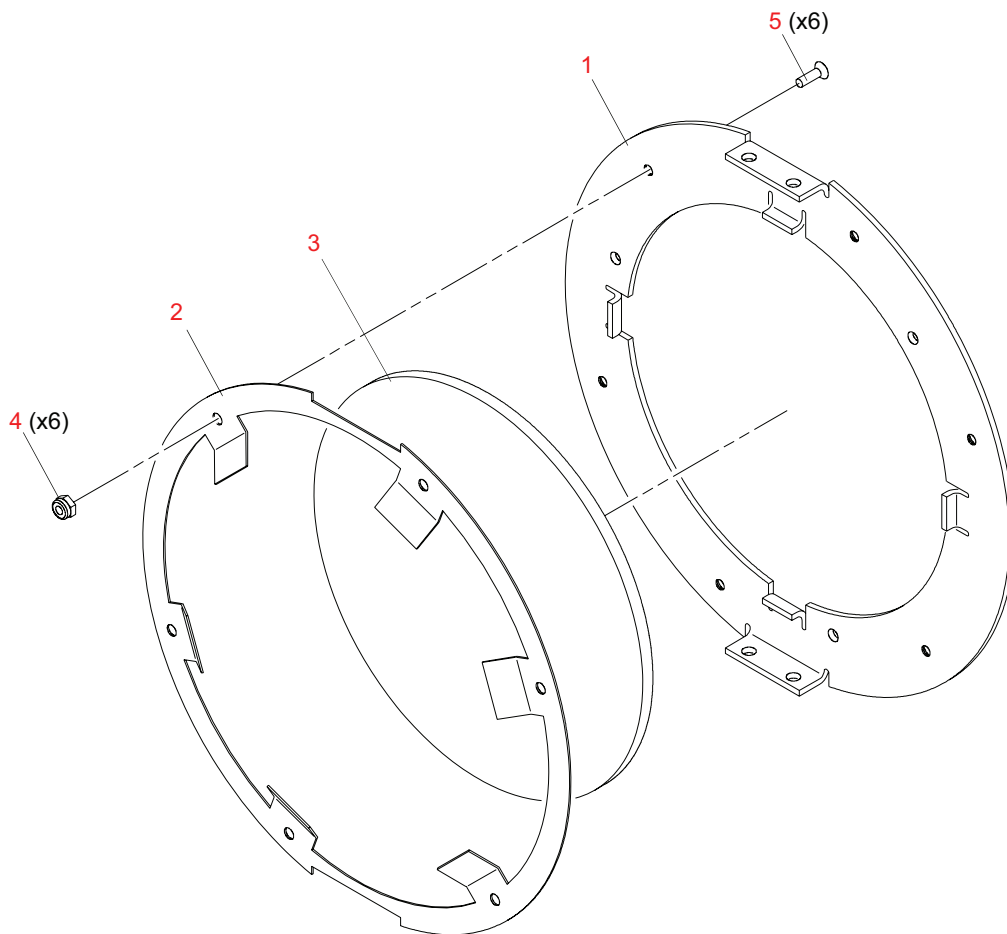


Figure 3-19: Lens #8 Assembly

## Fan Assembly

23.9663.2009 Rev C

Refer to Figure 3-20.

No.	Item	Qty.	UM.	Description
1	40.7113.0003	1	EA	FAN, +24V 80X80X25MM 24LFM
2	52.6523.0002	1	EA	CONN, HOUSING 2POS PLUG SHROUDED WIRE TO WIRE
3	52.8347.0001	2	EA	CONTACT, 24-30AWG MALE CRIMP

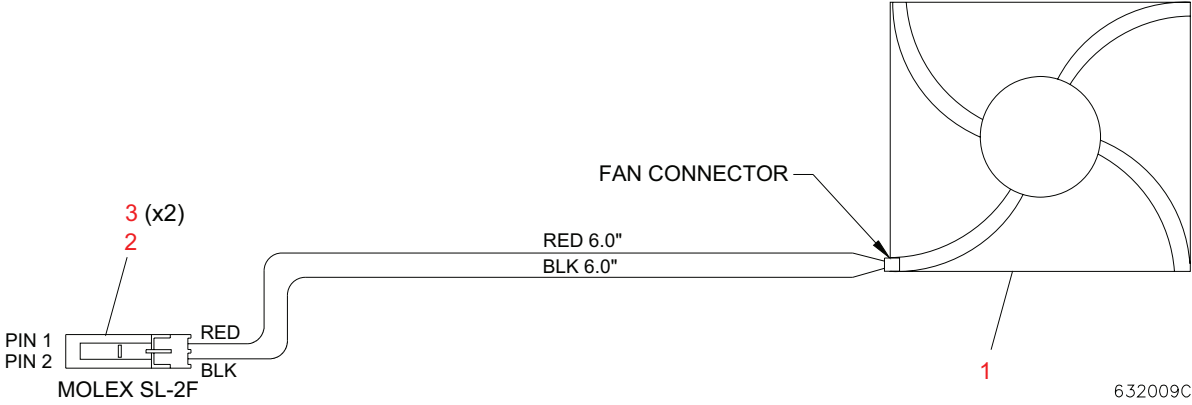


Figure 3-20: Fan Assembly

## Pulley Side Rail Assembly

21.9663.1033 Rev B

Refer to [Figure 3-21](#).

No.	Item	Qty.	UM.	Description
1	10.9663.1026	1	EA	LATCH, SPRING
2	12.9663.1025	1	EA	RAIL, SIDE MACHINED LONG TILT TUBE
3	53.2002.0004	1	EA	NUT, 6-32 ACORN THREAD LOCKING SS
4	53.5636.0500	1	EA	SCREW, 6-32 X 1/2" PFSS BLACK
5	53.6530.0009	2	EA	RIVET, 1/8"OD POP .126-.187GL STL BODY STL MNDRL DOME
6	55.2178.0002	1	EA	CABLE ANCHOR MOUNT, #10 SCREW MOUNTING

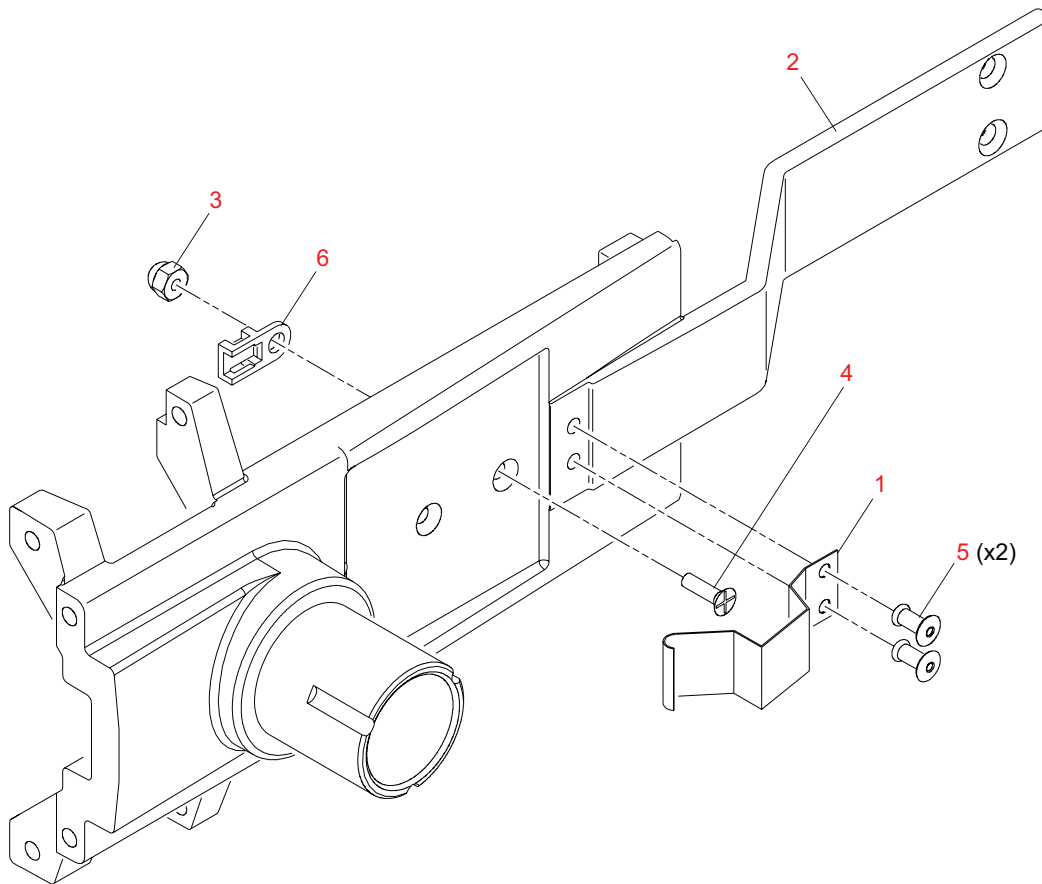


Figure 3-21: Pulley Side Rail Assembly

## Sensor Side Rail Assembly

21.9663.1034 Rev B

Refer to [Figure 3-22](#).

No.	Item	Qty.	UM.	Description
1	10.9663.1026	1	EA	LATCH, SPRING
2	12.9663.1029	1	EA	RAIL, SIDE MACHINED SHORT TILT TUBE
3	53.2002.0004	1	EA	NUT, 6-32 ACORN THREAD LOCKING SS
4	53.5636.0625	1	EA	SCREW, 6-32 X 5/8" PFSS BLACK
5	53.6530.0009	2	EA	RIVET, 1/8"OD POP .126-.187GL STL BODY STL MNDRL DOME

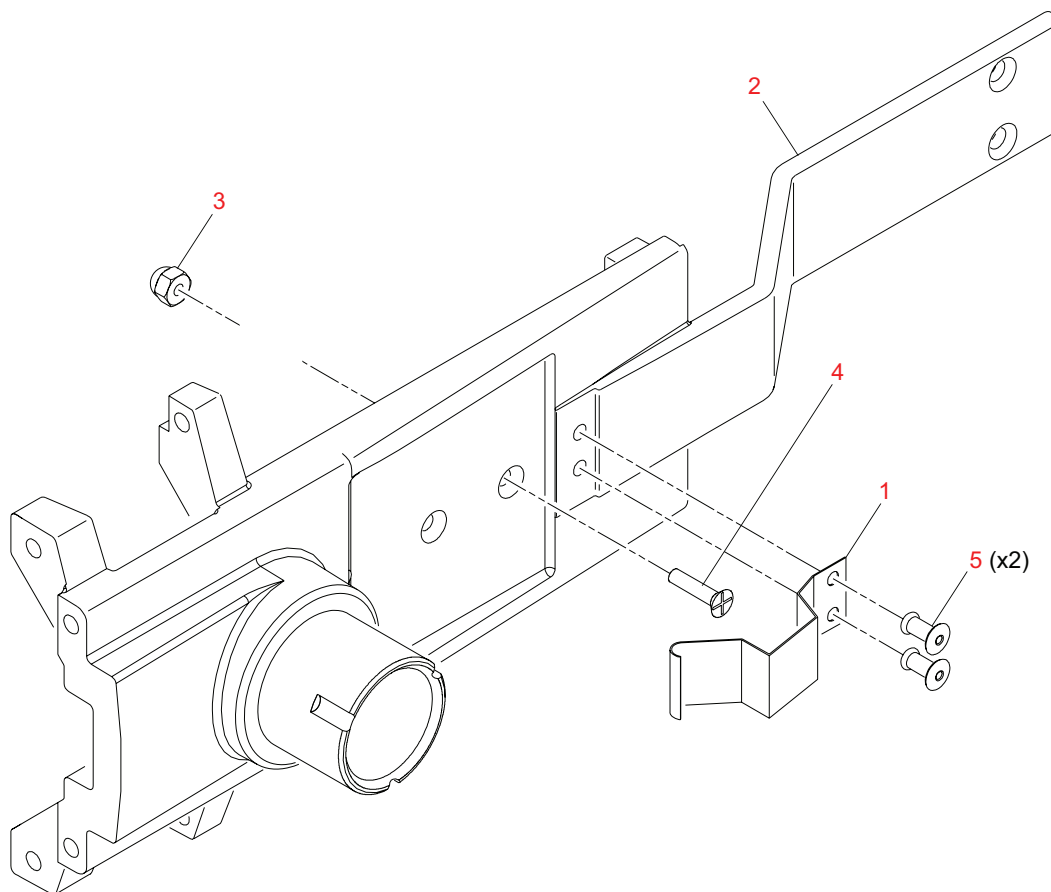


Figure 3-22: Sensor Side Rail Assembly

## Incandescent Gobo Wheel Assembly

### 21.9663.1200 (TS/TI/TSD/TID) Rev V

Refer to [Figure 3-23](#).

No.	Item	Qty.	UM.	Description
1	10.9663.1212	1	EA	PULLEY, MOTOR -GOBO
2	10.9663.1214	1	EA	SHAFT, ROTATING GOBO
3	10.9663.1217	1	EA	PULLEY, GOBO DRIVE MOTOR MOUNTED
4	10.9663.1241	2	EA	PULLEY, IDLER TEFLON
5	10.9663.1242	2	EA	SPACER, PIVOT BELT ADJUST
6	10.9663.1228	1	EA	PLATE, GOBO IDLER MOUNT PLATE
7	10.9663.1229	1	EA	PLATE, WHEEL IDLER MOUNT
8	10.9663.1239	2	EA	MOUNT, SENSOR BOARD
9	<a href="#">21.9663.1201</a>	1	EA	ASSY, GOBO WHEEL
10	22.9663.1226	1	EA	ASSY, GOBO BULKHEAD
11	<a href="#">23.9663.1248.01</a>	1	EA	ELEC ASSY, TEMPERATURE SENSOR
12	24.9663.3230	1	EA	PCB ASSY, WHEEL SENSOR
13	24.9663.3231	1	EA	PCB ASSY, INDEX SENSOR
14	44.9663.1202	2	EA	MOTOR, 17 2.42" SHAFT 11.8MH 5.5 OHM
15	53.2003.0001	3	EA	NUT, 4-40 KEPS ZINC PLATED
16	53.5560.0187	4	EA	SCREW, 8-32 X .187" SET CONE POINT
17	53.6520.0001	1	EA	SCREW, 4-40 X 3/8" PPZ
18	53.6524.0002	4	EA	SCREW, 6-32 X 5/16" PPB
19	53.6530.0022	2	EA	RIVET, 1/8"OD POP .188-250GRP CSK HD AL W/STL MNDRL
20	53.6530.0023	1	EA	RIVET, 1/8"OD POP .376-.500GRP DOME HD W/STL MNDRL
21	53.6537.0001	1	EA	SCREW, 4-40 X 5/8" PPB (VL 1)
22	53.6543.0001	1	EA	SCREW, 6-32 X 3/8" PPB
23	53.6581.0001	2	EA	SCREW, 4-40 X 1 3/8" PFZ
24	53.6598.0312	4	EA	SCREW, 4-40 X 5/16" PFB
25	53.6600.0001	3	EA	SCREW, 4-40 X 5/16" PPB
26	53.6614.0001	2	EA	SCREW, 6-32 X 5/8" PPB
27	54.2045.0002	1	EA	BELT, TIMING MXL .080" PITCH .187W 250 TEETH SILICONE
28	54.9663.1220	1	EA	BELT, TIMING INDEX
29	55.6520.0001	2	EA	WASHER, WAVE SPRING, .265 ID X .367 OD
30	55.6506.0010	1	EA	SPACER, 1/4" RND .375" LG .140" ID THRU AL NO FNISH

No.	Item	Qty.	UM.	Description
31	55.6512.0001	1	EA	WASHER, #4 SPLIT LOCK
32	55.6538.0001	1	EA	SCREW, #6 LOCK INTERNAL TOOTH
33	55.6568.0061	2	EA	SPRING, EXTSN .250"OD 2.00"LG .022" WIRE DIA MUSIC WIRE
34	55.6609.0005	2	EA	WASHER, .625"OD .376"ID .020"THK FLAT TEFLON
35	55.6621.0003	1	EA	WASHER, #4 3/8" OD FLAT ZINC (changed 07-18-03)
36	55.6677.0035	1	EA	WASHER, .750"OD .187"ID .030"THK FLAT SS
37	55.6677.0036	1	EA	WASHER, .875"OD .406"ID .030"THK FLAT SS
38	55.6677.0039	2	EA	WASHER, .438"OD .219"ID .042"THK #12 FLAT CSTL
39	55.6677.0040	5	EA	WASHER, .624"OD .145"ID .030"THK FLAT BLACK OXIDE
40	55.6677.0042	1	EA	WASHER, .500"OD .145"ID .031"THK FLAT TEFLON
41	55.6706.0001	1	EA	GROMMET, 9/32"ID 9/16"OD 1/4T SILICONE RED
42	55.6818.0002	1	EA	STANDOFF, 45 DEG NYLON 6/6 KURLY-LOK



## Temperature Sensor Electrical Assembly

23.9663.1248.01 (TS) Rev A

23.9663.1248.11 (AS) Rev A

Refer to Figure 3-24.

No.	Item	Qty.	UM.	Description
1	23.9663.2008	1	EA	ASSY, FAN (TS ONLY)
	- 40.7140.0001	1	EA	BLOWER, CENTRIFUGAL 24VDC 9CFM 3" X 3"
	- 52.8347.0001	2	EA	CONTACT, 24-30AWG MALE CRIMP
2	52.6523.0004	1	EA	CONN, HOUSING 4POS PLUG SHROUDED WIRE TO WIRE
3	52.8347.0001	2	EA	CONTACT, 24-30AWG MALE CRIMP
4	55.2198.0001	.17	FT	HEATSHRINK 1/8" BLACK
5	63.2047.0001	1	EA	THERMOSTANT, 100 DEG C PCB MOUNT CLOSE ON RISE
6	73.3524.0002	2.5	FT	WIRE 24AWG 300V 105C PVC RED UL1007
-	25.9663.0390	1	EA	WIRE ASSEMBLY, JUMPER, THERMOSTAT (NOT SHOWN*)

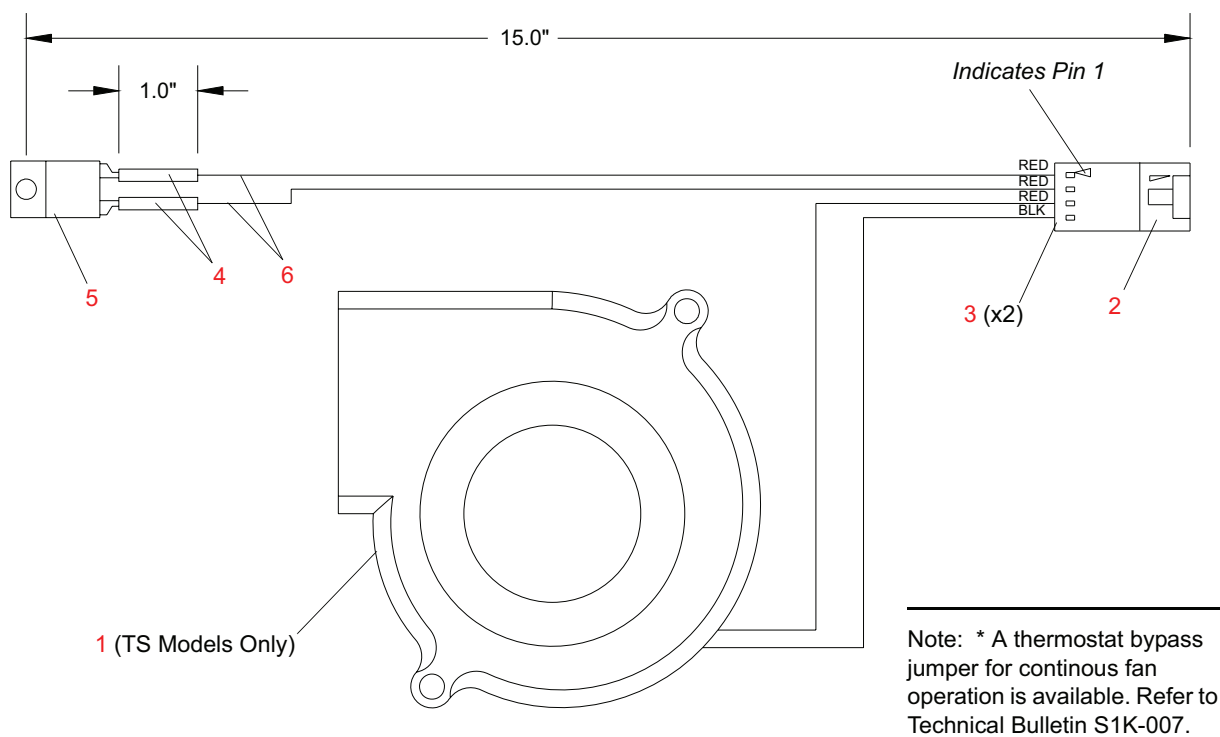


Figure 3-24: Temperature Sensor Electrical Assembly



## Arc Gobo/Dimmer Bulkhead Assembly

### 21.9663.1600 (AS) Rev T

Refer to [Figure 3-25](#).

No.	Item	Qty.	UM.	Description
1	10.9663.1212	2	EA	PULLEY, MOTOR -GOBO
2	10.9663.1214	1	EA	SHAFT, ROTATING GOBO
3	10.9663.1217	1	EA	PULLEY, GOBO DRIVE MOTOR MOUNTED
4	10.9663.1228	1	EA	PLATE, GOBO IDLER MOUNT PLATE
5	10.9663.1229	1	EA	PLATE, WHEEL IDLER MOUNT
6	10.9663.1239	2	EA	MOUNT, SENSOR BOARD
7	10.9663.1241	2	EA	PULLEY, IDLER TEFLON
8	10.9663.1242	2	EA	SPACER, PIVOT BELT ADJUST
9	10.9663.1621	1	EA	PULLEY, W/FLANGES 26GROOVE .25 WIDE MXL-DIMMER/GOBO ASSY
10	10.9663.1625	1	EA	SHAFT, DIMMER .250 OD
11	10.9663.1635	1	EA	SHAFT SUPPORT, DIMMER
	54.1259.0002	2	EA	BEARING, RADIAL, .251 ID X .625 OD (NOT SHOWN)
	55.6506.0029	1	EA	SPACER, 9/32" RND X .250" LG X .253" ID THRU AL (NOT SHOWN)
12	10.9663.1630	2	EA	SEAL, COVER LONG
13	10.9663.1631	2	EA	SEAL, COVER SHORT
14	10.9663.1632	2	EA	PLATE, COVER SEAL LONG
15	10.9663.1633	2	EA	PLATE, COVER SEAL SHORT
16	<a href="#">21.9663.1201</a>	1	EA	ASSY, GOBO WHEEL
17	22.9663.1232	1	EA	FAB ASSY, DIMMER/GOBO BULKHEAD
18	22.9663.1629	1	EA	GLASS, DIMMER WHEEL
19	<a href="#">23.9663.1248.11</a>	1	EA	ELEC ASSY, TEMPERATURE SENSOR
20	24.9663.3230	1	EA	PCB ASSY, WHEEL SENSOR
21	24.9663.3231	1	EA	PCB ASSY, INDEX SENSOR
22	44.9663.1202	3	EA	MOTOR, 17 2.42" SHAFT 11.8MH 5.5 OHM
23	53.2002.0001	1	EA	NUT, 6-32 KEP ZINC PLATED
24	53.2003.0001	1	EA	NUT, 4-40 KEP ZINC PLATED
25	53.6520.0001	1	EA	SCREW, 4-40 X 3/8" PPZ
26	53.5560.0187	10	EA	SCREW, 8-32 X .187" SET CONE POINT
27	53.6524.0002	6	EA	SCREW, 6-32 X 5/16" PPB
28	53.6530.0022	2	EA	RIVET, 1/8"OD POP .188-250GRP CSK HD AL W/STL MNDRL

No.	Item	Qty.	UM.	Description
29	53.6530.0023	1	EA	RIVET, 1/8"OD POP .376-500GRP DOME HD W/STL MNDRL
30	53.6534.0001	18	EA	RIVET, 3/32"OD POP 3/32GRIP RANGE ALUM
31	53.6537.0001	1	EA	SCREW, 4-40 X 5/8" PPB (VL 1)
32	53.6543.0001	1	EA	SCREW, 6-32 X 3/8" PPB
33	53.6598.0312	7	EA	SCREW, 4-40 X 5/16" PFB
34	53.6600.0001	3	EA	SCREW, 4-40 X 5/16" PPB
35	53.6614.0001	2	EA	SCREW, 6-32 X 5/8" PPB
36	53.6682.0002	2	EA	SCREW, 4-40 X 1/4"LG PPZ SEMS-EXT
37	54.2045.0002	1	EA	BELT, TIMING MXL .080" PITCH .187W 250 TEETH SILICONE
38	54.2050.0001	1	EA	BELT, TIMING MXL .080" PITCH 93 TEETH 1/4" WD SILICONE
39	54.9663.1220	1	EA	BELT, TIMING INDEX
40	55.6520.0001	2	EA	WASHER, WAVE SPRING, .265 ID X .367 OD
41	55.6506.0010	1	EA	SPACER, 1/4" RND .375"LG .140"ID THRU AL NO FNISH
42	55.6512.0001	3	EA	WASHER, #4 SPLIT LOCK
43	55.6538.0001	1	EA	WASHER, #6 LOCK INTERNAL TOOTH
44	55.6568.0061	2	EA	SPRING, EXTSN .250"OD 2.00"LG .022" WIRE DIA MUSIC WIRE
45	55.6609.0005	2	EA	WASHER, .625"OD .376"ID .020"THK FLAT TEFLON
46	55.6621.0003	1	EA	WASHER, #4 3/8" OD FLAT ZINC (changed 07-18-03)
47	55.6659.0007	2	EA	STANDOFF, 3/16" HEX 4-40 .250"LG ALUM
48	55.6677.0035	1	EA	WASHER, .750"OD .187"ID .030"THK FLAT SS
49	55.6677.0036	1	EA	WASHER, .875"OD .406"ID .030"THK FLAT SS
50	55.6677.0039	2	EA	WASHER, .438"OD .219"ID .042"THK #12 FLAT CSTL
51	55.6677.0040	5	EA	WASHER, .624"OD .145"ID .030"THK FLAT BLACK OXIDE
52	55.6677.0042	1	EA	WASHER, .500"OD .145"ID .031"THK FLAT TEFLON
53	55.6706.0001	1	EA	GROMMET, 9/32" ID 9/16" OD 1/4T SILICONE RED
54	55.6818.0002	1	EA	STANDOFF, 45 DEG NYLON 6/6 KURLY-LOK

## Arc Gobo/Dimmer Bulkhead (continued)

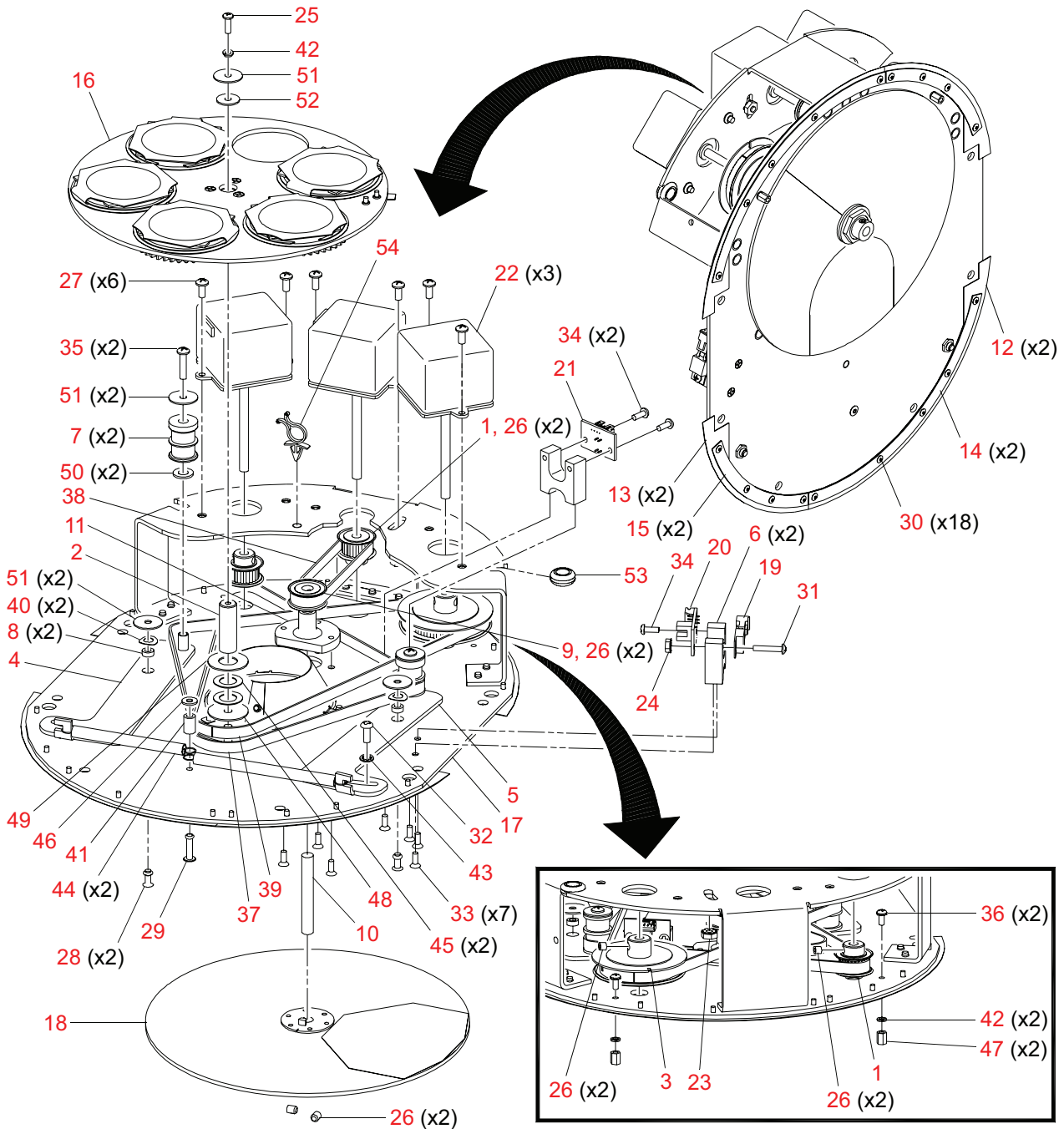


Figure 3-25: Arc Gobo/Dimmer Bulkhead Assembly

## Gobo Wheel Assembly

**21.9663.1201 Rev E**

Refer to [Figure 3-26](#).

No.	Item	Qty.	UM.	Description
1	10.9663.2203	5	EA	GEAR, PLANET, MACHINED ALUMINUM
2	10.9663.1204	1	EA	WHEEL, ROTATING GOBO
3	10.9663.1206	1	EA	FLANGE, MIDDLE
4	10.9663.1210	5	EA	CLIP, RETAINING
5	10.9663.1211	10	EA	SPACER, TEFLON GOBO GEAR
6	10.9663.1219	1	EA	SUN GEAR, MOLDED
7	10.9663.1247	1	EA	TAB, GOBO WHEEL SENSOR
8	10.9663.1240	5	EA	BEARING, GOBO WHEEL BORE
9	22.9663.1222	1	EA	PULLEY ASSY, GOBO WHEEL
10	53.6534.0001	2	EA	RIVET, 3/32" OD, 3/32 GRIP RANGE, ALUM
11	53.6598.0312	3	EA	SCREW, 4-40 X 5/16" PFB
12	55.6504.0004	3	EA	WASHER, #4 LOCK CSK EXT TOOTH (added 02-13-03)

## Gobo Wheel Assembly (continued)

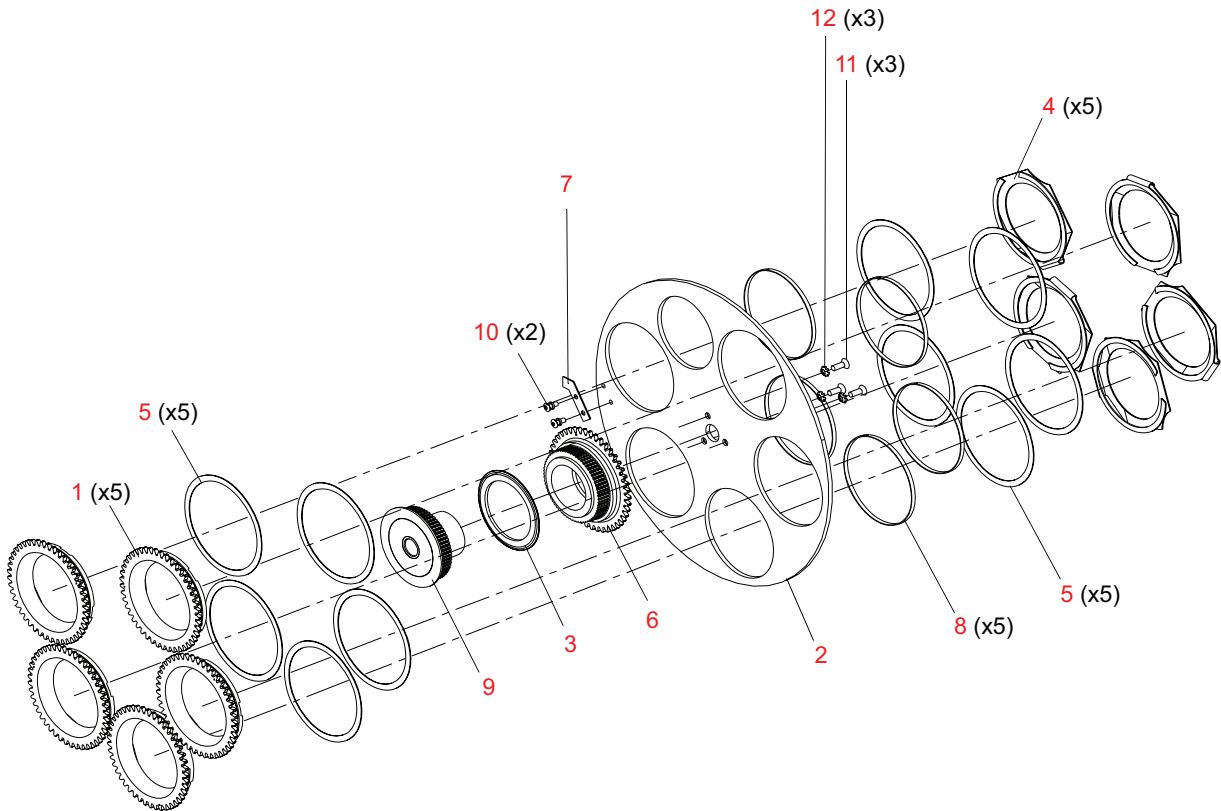


Figure 3-26: Gobo Wheel Assembly

## Shutter 6 Rollers Assembly

**21.9663.1350 Rev B**

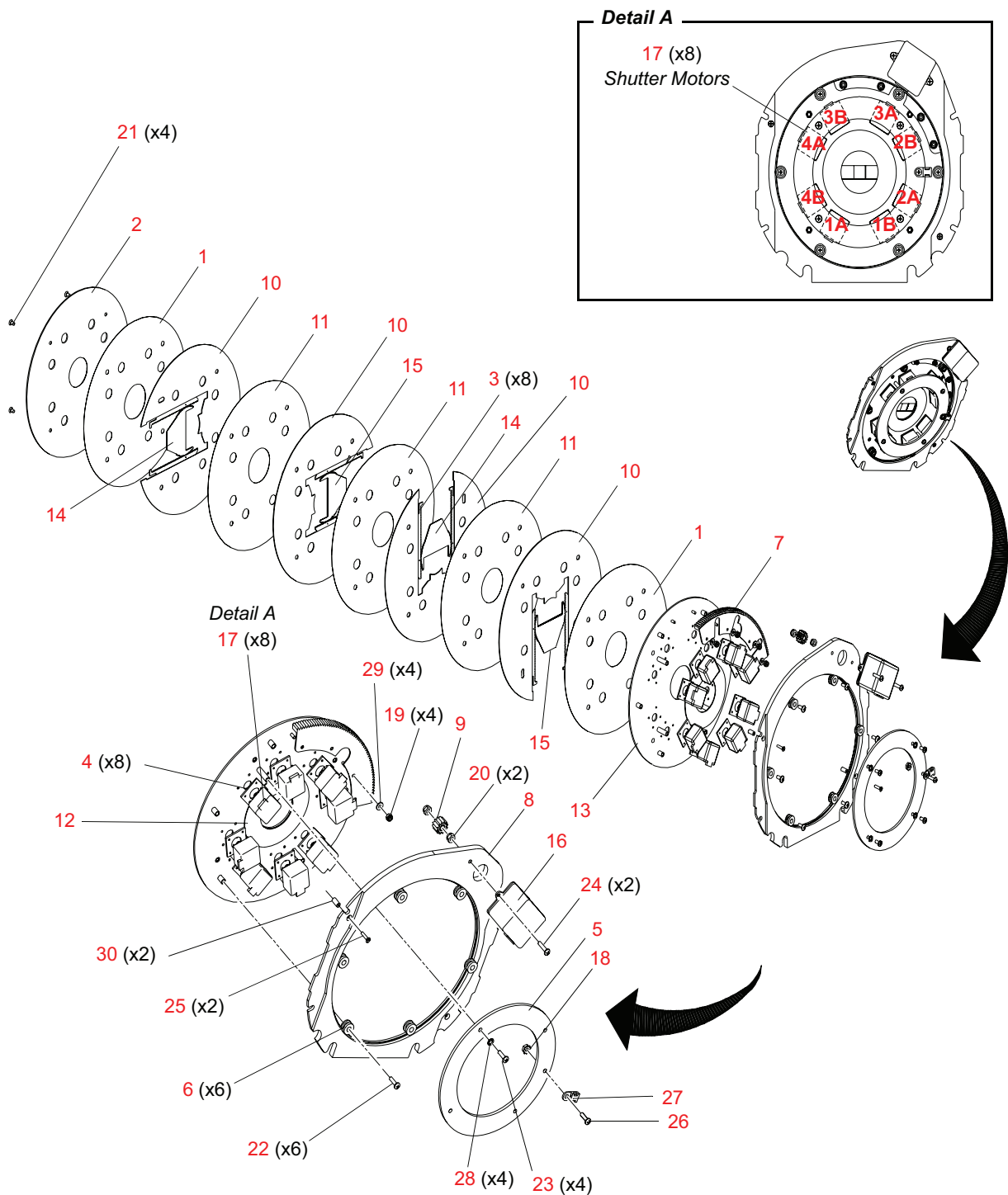
Refer to [Figure 3-27](#).

No.	Item	Qty.	UM.	Description
1	10.9663.1311	2	EA	SEPARATOR, SHUTTER
2	10.9663.1313	1	EA	COVER, SHUTTER
3	10.9663.1314	8	EA	RACK, SHUTTER
4	10.9663.1320	8	EA	PAD, MOTOR
5	10.9663.1321	1	EA	CLAMP RING, MOTOR
6	10.9663.1325	6	EA	ROLLER, NYLON
7	10.9663.1327	1	EA	GEAR, SHUTTER ROTATE SECTOR
8	10.9663.1328	1	EA	BULKHEAD, SHUTTER MACHINED
9	10.9663.1330	1	EA	PINON, SHUTTER
10	10.9663.1380	4	EA	SPACER, SHUTTER (changed 01-13-03)
11	10.9663.1381	3	EA	STIFF SEPARATOR, SHUTTER (changed 01-13-03)
12	10.9663.1339.02	1	EA	DONUT, ANTI-REFLECTION, SHUTTER
13	10.9663.1351	1	EA	BASE PLATE, SHUTTER 6 ROLLERS
14	12.9663.1323	2	EA	BLADE, SHUTTER COATED SIDE A
15	12.9663.1324	2	EA	BLADE, SHUTTER COATED SIDE B
-	<a href="#">25.9663.2040</a>	1	EA	CABLE ASSY, BEAM SHAPER HARNESS - <b>(NOT SHOWN)</b>
16	44.9663.1326	1	EA	MOTOR, 17 .53" SHAFT 11.8MH 5.5 OHM
17	44.9663.1351	8	EA	ASSY, SHUTTER MOTOR (changed 05-22-03)
18	53.2200.0006	1	EA	NUT, 6-32 KEPS SS
19	53.2202.0004	4	EA	NUT, 4-40 HEX SS NYLON INSERT
20	53.2202.0006	2	EA	NUT, 6-32 HEX SS NYLON INSERT
21	53.5638.0252	4	EA	SCREW, 6-32 X 1/4" LG PFS UNDERCUT HEAD
22	53.6523.0013	6	EA	SCREW, 6X32 3/8 LG PTB TRUSS HD BLK ZINC (added 07-24-02)
23	53.6525.0001	4	EA	SCREW, 6-32 X 5/16" PPZ
24	53.6526.0001	2	EA	SCREW, 6-32 X 5/8" PPZ
25	53.6536.0001	2	EA	SCREW, 4-40 X 1/2" PFZ
26	53.6613.0001	1	EA	SCREW, 6-32 X 1/2" PPZ
27	55.2178.0002	1	EA	CABLE ANCHOR MOUNT, #10 SCREW MOUNTING
-	55.2180.0002	.25	FT	SPIRAL WRAP, 3/8" OD TEFLON <b>(NOT SHOWN)</b>
28	55.3303.0006	4	EA	WASHER, #6 LOCK INT. TOOTH SS

**VARI\**LITE*® - VL1000™ ERS LUMINAIRE SERVICE MANUAL**

<b>No.</b>	<b>Item</b>	<b>Qty.</b>	<b>UM.</b>	<b>Description</b>
29	55.6621.0001	4	EA	WASHER, #4 FLAT ZINC
30	55.6697.0020	2	EA	STANDOFF, 3/16" RND, 4-40, .375"LG, ZINC PLATED STEEL

**Shutter Assembly (continued)**



**Figure 3-27: Shutter 6 Rollers Assembly**



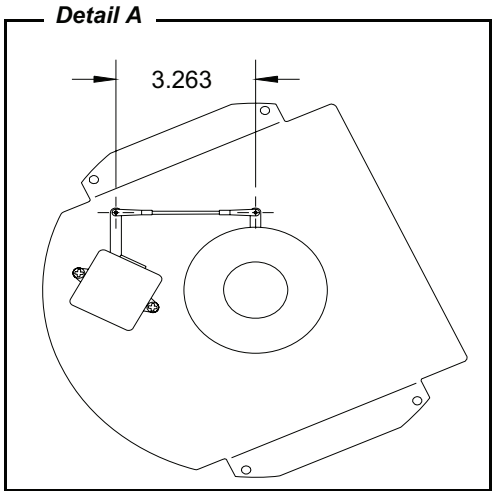
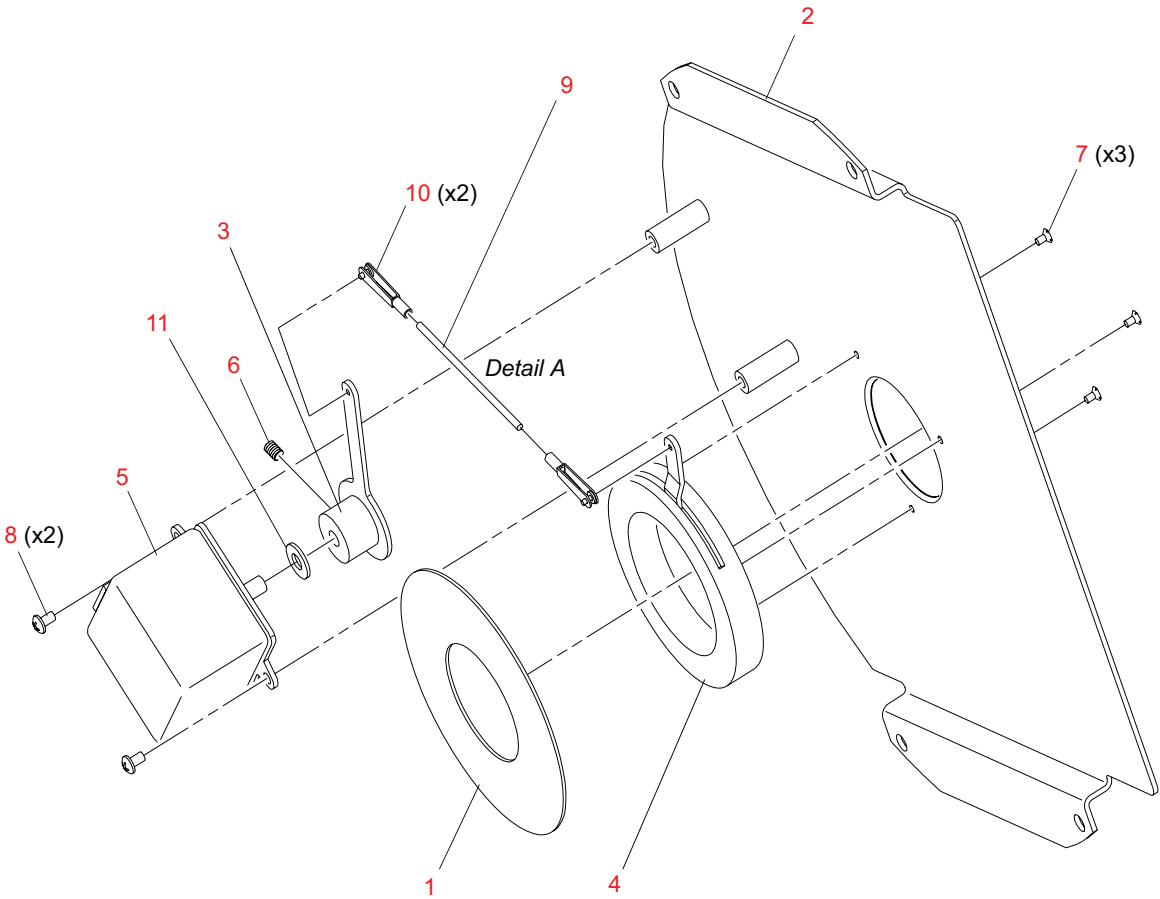
## Beam-Size Iris Assembly

21.9663.1400 Rev E

Refer to [Figure 3-28](#).

No.	Item	Qty.	UM.	Description
1	10.9663.1339.03	1	EA	DONUT, ANTI-REFLECTION IRIS
2	10.9663.1411	1	EA	BULKHEAD, IRIS
3	21.9663.1409	1	EA	ASSY, MOTOR ARM
	- 10.9663.1402	1	EA	ARM, MOTOR
	- 10.9663.1406	1	EA	BOSS, MOTOR ARM
	- 53.6659.0008	3	EA	SCREW, 2-56 X 3/16" PFZ
4	22.9663.1410	1	EA	IRIS, 67MM OD
5	44.9663.1326	1	EA	MOTOR, 17 .53" SHAFT 11.8MH 5.5 OHM
6	53.5560.0250	1	EA	SCREW, 8-32 X 1/4" SET CONE POINT
7	53.6513.0042	3	EA	SCREW, M2 X .4 X 4MM LG PFB METRIC
8	53.6543.0003	2	EA	SCREW, 6-32 X 3/16" PPB
9	53.6605.0200	1	EA	STUD, 2-56 X 2.0"LG FULL THREAD STAINLESS STEEL
10	54.1217.0005	2	EA	KWIK LINK, 2-56 SPRING STEEL
	55.6538.0005	4	EA	WASHER, TEFLON, .25" OD, .065" ID, .015" THK (NOT SHOWN)
11	55.6546.0004	1	EA	WASHER, TEFLON, .201 ID X .438 OD X .040 THK

**Beam-Size Iris Assembly (continued)**



**Figure 3-28: Beam-Size Iris Assembly**

## Rear Head Assembly

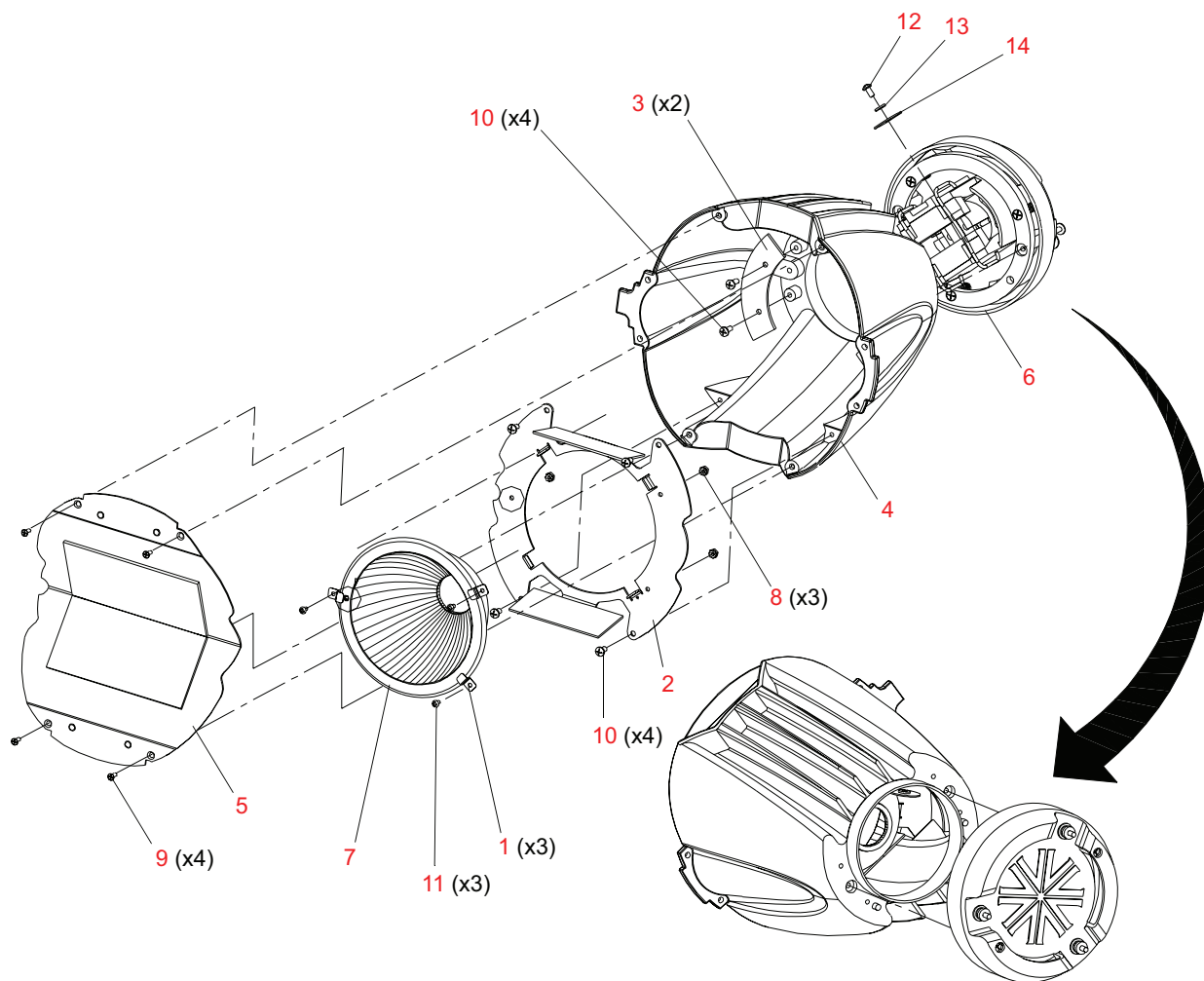
**21.9663.1002.01 Rev P (TS/TI)**

**21.9663.1002.11 Rev P (AS/AI)**

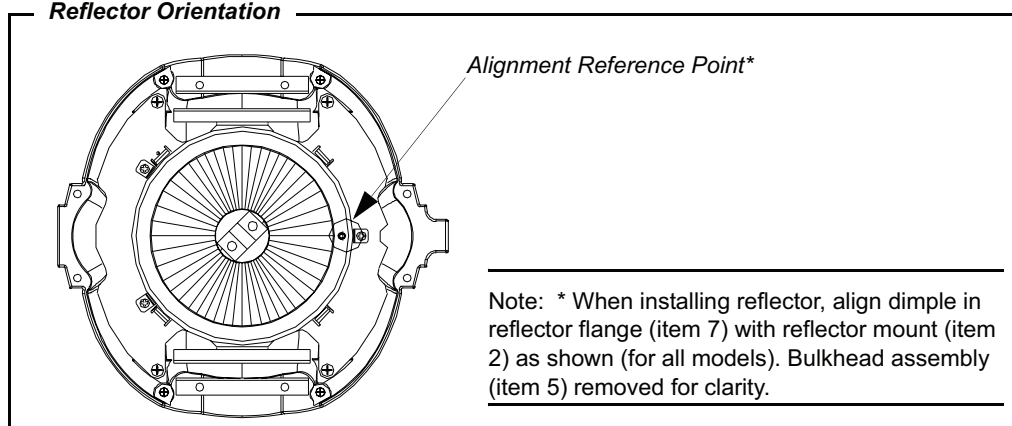
Refer to [Figure 3-29](#).

No.	Item	Qty.	UM.	Description
1	10.9634.0100	3	EA	CLIP,MOUNTING,REFLECTOR
2	10.9663.1104	1	EA	REFLECTOR MOUNT
3	10.9663.1109	2	EA	COUNTERWEIGHT
4	12.9663.1023	1	EA	CASTING, REAR MACHINED
5	21.9663.1101.01	1	EA	ASSY, INC BULKHEAD (TS/TI ONLY)
	21.9663.1101.11	1	EA	ASSY, ARC BULKHEAD (AS/AI ONLY)
6	<a href="#">21.9663.1127.01</a>	1	EA	ASSY, BACK CAP (TS/TI ONLY)
	<a href="#">21.9663.1127.11</a>	1	EA	ASSY, BACK CAP (AS/AI ONLY)
-	<a href="#">25.9663.2033</a>	REF	EA	CABLE ASSY, LAMP POWER INCANDESCENT (TS/TI ONLY) <b>NOT SHOWN</b>
-	<a href="#">25.9663.2036</a>	REF	EA	CABLE ASSY, IGNITOR TO LAMP SOCKET (AS/AI ONLY) <b>NOT SHOWN</b>
7	42.9663.7237	1	EA	REFLECTOR, 48 LUNE (TS/TI ONLY)
	42.9663.7118	1	EA	REFLECTOR, 8, 10, 14 DEGREE LUNES FACETED (AS/AI ONLY)
8	53.2002.0001	3	EA	NUT, 6-32 KEP ZINC PLATED
9	53.6522.0005	4	EA	SCREW, 6-32 X 3/8" LG PFZ TYPE F
10	53.6553.0004	8	EA	SCREW, 10-32 X 3/8"LG PPB TYPE F
11	53.6607.0001	3	EA	SCREW, 6-32 X 1/4" PPB
12	53.6682.0037	1	EA	SCREW, 10-32 X 1/2" LG PPZ SEMS-EXT
13	55.3301.0010	1	EA	WASHER, #10 FLAT
14	55.6636.0004	1	EA	WASHER, #10 FENDER ZINC PLT SS 1.250"OD .219"ID .047"THK

**Rear Head Assembly (continued)**



**Reflector Orientation**



**Figure 3-29: Rear Head Assembly**

## Back Cap Assembly

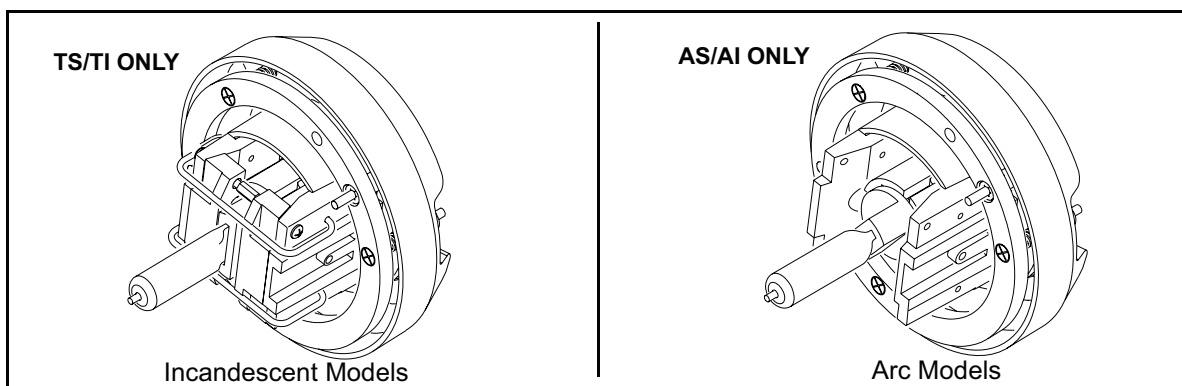
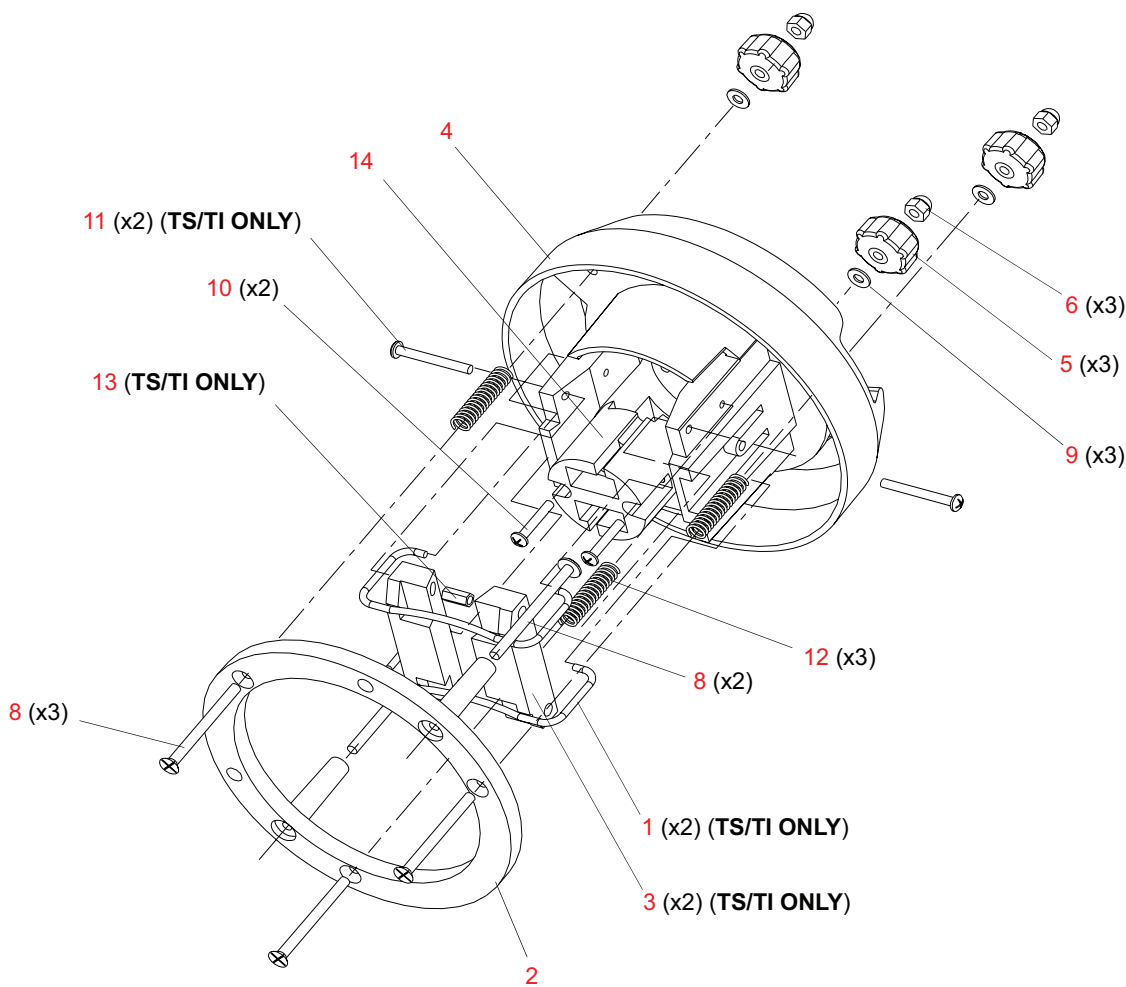
**21.9663.1127.01 (TS/TI) Rev J**

**21.9663.1127.11 (AS/AI) Rev J**

Refer to [Figure 3-30](#).

No.	Item	Qty.	UM.	Description
1	10.9663.1116	2	EA	CLAMP, LAMP BASE BAIL (TS/TI ONLY)
2	10.9663.1136	1	EA	PLATE, BACKCAP ADJUST
3	10.9663.1119	2	EA	LAMP BASE CLAMP (TS/TI ONLY)
4	12.9663.1126	1	EA	BACKCAP, MACHINED
5	10.9678.0645	3	EA	KNOB, LAMP ADJUST, MODLED (added 11-19-03)
6	53.2030.0001	3	EA	NUT, ACORN 10-32 THD, 3/8 W BLK ZINC (added 11-19-03)
7	53.5711.2500	2	EA	SCREW, 10-32 X 2 1/2" Phillips Truss Head SS Black (changed 10-31-02)
8	53.6539.0011	3	EA	SCREW, 10-32 X 2 1/4" PFBSS UNF-2A
9	55.6546.0004	3	EA	WASHER, TEFLON .201 ID .438 OD X .04 THK (added 11-19-03)
10	53.6575.0001	2	EA	SCREW, 8-32 X 1.0" PPZ
11	53.6575.0005	2	EA	SCREW, 8-32 X 1 1/2" PPZ (TS/TI ONLY)
12	55.6568.0059	3	EA	SPRING, CPRSN, .360" OD 1.50" LG .045" DIA SS
13	55.6704.0013	1	EA	STANDOFF, 1/4" HEX 8-32 .500" LG (TS/TI ONLY)
14	71.2560.0001	1	EA	SOCKET, LAMP G22 SCREW TERMINALS

**Back Cap Assembly (continued)**



**Figure 3-30: Back Cap Assembly**

## **Notes**

## Yoke Assembly

### Yoke Legs Assembly

**21.9663.1850.01 (TS/TI) Rev J**

**21.9663.1850.11 (AS/AI) Rev J**

**21.9663.1850.21 (TSD/TID - 115V DIM) Rev J**

**21.9663.1850.31 (TSE/TIE - 240V DIM) Rev J**

Refer to [Figure 3-31](#).

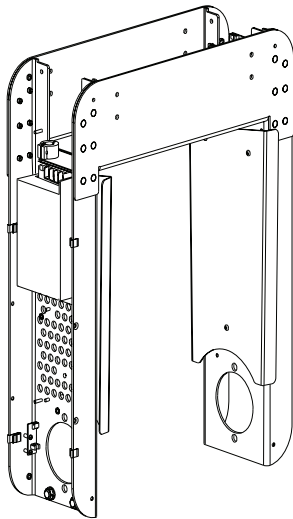
No.	Item	Qty.	UM.	Description
1	10.9661.1364	1	EA	INSULATOR, ADHESIVE BACKED - TOP COVER (AS/AI ONLY)
2	10.9663.1827	2	EA	NUT PLATE, PAN/TILT MOTOR
3	10.9663.1842	2	EA	HEATSHIELD, YOKE LEG
4	10.9663.1852	1	EA	COUNTERWEIGHT, DIMMER (DIM ONLY)
5	<a href="#">21.9663.1816</a>	1	EA	ASSY, TILT MOTOR
6	22.9663.1801	1	EA	ASSY, YOKE
7	<a href="#">24.9661.3126</a>	1	EA	PCB ASSY, SOILD STATE IGNITOR (AS/AI ONLY)
8	<a href="#">24.9663.3230</a>	1	EA	PCB ASSY, WHEEL SENSOR
-	<a href="#">25.9663.2002</a>	1	EA	CABLE ASSY, TILT COT - NOT SHOWN
-	<a href="#">25.9663.2020</a>	1	EA	CABLE ASSY, PAN/TILT CONTROL - NOT SHOWN
-	<a href="#">25.9663.2026</a>	1	EA	CABLE ASSY, DIMMER TO CNTRLR - NOT SHOWN (DIM ONLY)
-	<a href="#">25.9663.2037</a>	1	EA	CABLE ASSY, DIMMER TO LAMP SCKT - NOT SHOWN (DIM ONLY)
-	<a href="#">25.9663.2817</a>	1	EA	CABLE ASSY, LVS CHASSIS GROUND - NOT SHOWN (TS/TI ONLY)
-	<a href="#">25.9663.2824</a>	1	EA	CABLE ASSY, LVS DC OUTPUT - NOT SHOWN
-	<a href="#">25.9663.2826</a>	1	EA	CABLE ASSY, DIMMER TO LVS - NOT SHOWN (DIM ONLY)
9	53.2019.0004	2	EA	NUT, 3/8-16 X 7/32"THK HEX JAM GRD5 ZINC PLT
10	53.6539.0001	2	EA	WASHER, 3/8" SPLIT LOCK
11	53.6543.0001	14	EA	SCREW, 6-32 X 3/8" PPB (AS/AI ONLY)
		10	EA	SCREW, 6-32 X 3/8" PPB (TS/TI ONLY)
12	53.6545.0007	4	EA	SCREW, 8-32 X 3/8" PFB (DIM ONLY)
13	53.6567.0001	3	EA	SCREW, 4-40 X 1/2" PPZ
14	53.6617.0001	4	EA	SCREW, 6-32 X 1" PPB
15	53.6634.0003	2	EA	SCREW, 3/8-16 X 1/2"LG SOC HD CAP ALLY STL
16	55.2140.0001	4	EA	STANDOFF, 1/4" HEX 6-32 .813"LG (AS/AI ONLY)
17	55.2143.0002	7	EA	STANDOFF, 1/4"HEX 6-32 1.375"LG FF ALUM



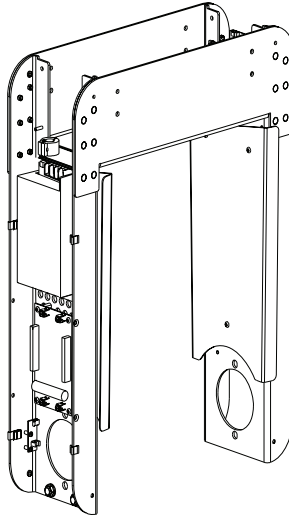
**VARI\**LITE*® - VL1000™ ERS LUMINAIRE SERVICE MANUAL**

No.	Item	Qty.	UM.	Description
18	55.2203.0001	2	EA	SCREW, 4-40 X 1/4 " PPZ
19	55.2204.0001	3	EA	WASHER, #4 NYLON (AS/AI ONLY)
20	55.3301.0006	4	EA	WASHER, #6 FLAT SS
21	55.6525.0005	3	EA	WASHER, #4 SHOULDER NYLON .125 DP (AS/AI ONLY)
22	55.6568.0056	1	EA	SPRING, CPRSN .600"OD .625"LG .080"WIRE DIA MUSIC WIRE
23	55.6597.0003	4	EA	CLIP, CABLE SELF RETAINING 1/8" THK PANEL
24	67.4006.0006	1	EA	CLAMP, CABLE EMI SUP. FERRITE 0.52, 0.61 LG
25	69.3173.0115	1	EA	DIMMER, 1200W, 115V, REV PHASE CNTRL (TSD/TID ONLY)
	69.3173.0240	1	EA	DIMMER, 1200W, 240V, REV PHASE CNTRL (TSE/TIE ONLY)
26	69.3177.0151	1	EA	POWER SUPPLY, 150W +24V/6.3A (changed 08-28-03)

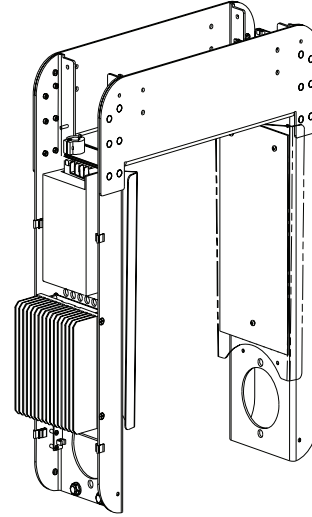
***Yoke Mount Configurations -***



*VL1000 TS, TI Units*



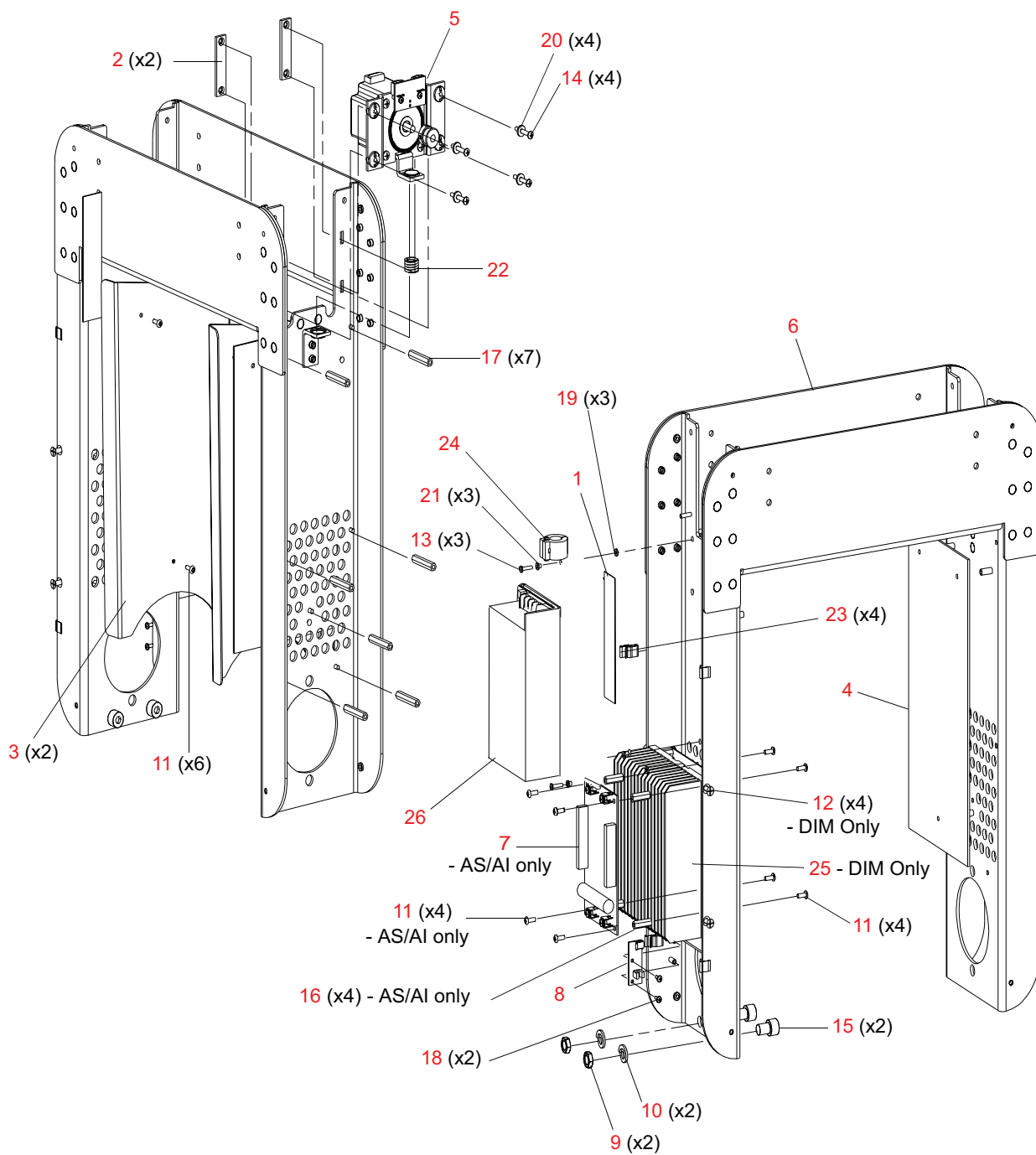
*VL1000 AS, AI Units*



*VL1000 TSD, TID Units  
(With Integral 115V Dimmer)*

*VL1000 TSE, TIE Units  
(With Integral 230V Dimmer)*

**Yoke Legs Assembly (continued)**



**Figure 3-31: Yoke Legs Assembly**

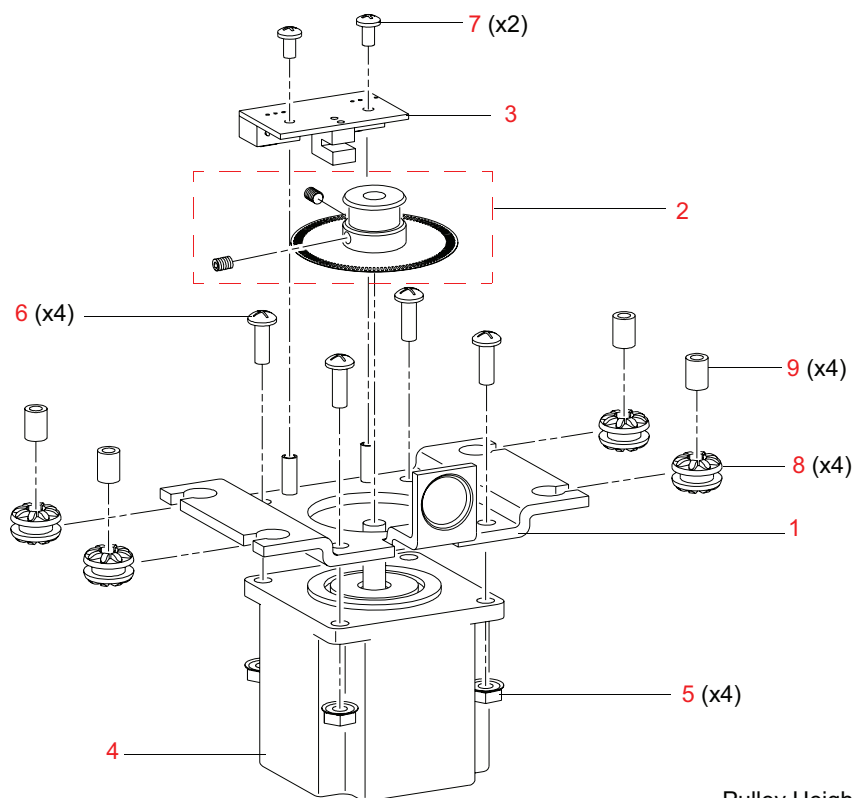
## Tilt Motor Assembly

### 21.9663.1816 Rev D

Refer to [Figure 3-32](#).

No.	Item	Qty.	UM.	Description
1	10.9663.1825	1	EA	MOUNT, MOTOR TILT
2	21.9663.1818	1	EA	ASSY, DRIVE PULLEY
	- 10.9663.1810	1	EA	PULLEY, DRIVING - PAN/TILT
	- 10.9663.8820	1	EA	CODEWHEEL
	- 53.5561.0250	2	EA	SCREW, 6-40 X 1/4" SET CONE POINT
3	24.9661.9629	1	EA	PCB ASSY, PAN/TILT ENCODER
4	44.9663.1850	1	EA	MOTOR, 23 .81" SHAFT 12MH 6 OHM
5	53.2200.0008	4	EA	NUT, 8-32 KEPS SS
6	53.6521.0001	4	EA	SCREW, 8-32 X 1/2" PPB
7	55.2203.0001	2	EA	SCREW, 4-40 X 1/4 PPZ
8	55.6579.0015	4	EA	GROMMET, 3/8"HOLE .226"ID .125"THK VERSA-DAMP
9	55.6655.0005	4	EA	SPACER, 1/4"RND .359"LG .141"THRU ALUM

### Tilt Motor Assembly (continued)



Note: Vari-Lite recommends that this assembly be replaced as a complete assembly. Although you can replace only the motor, the pulley (Item 2) is bonded to the motor shaft during assembly and cannot be removed intact. If you order a replacement motor (Item 4), also order the pulley (Item 2). Contact Vari-Lite Customer Service for installation information.

**Pulley Height Detail & Installation**

Step	1. Apply one drop of Loctite 603 to motor shaft.
Step	2. Install drive pulley on motor shaft using twisting motion to insure coverage of shaft with loctite.
Step	3. Do not allow Loctite to drip into motor bearing.
Step	4. Set pulley height as shown above.
Step	5. Apply Loctite 242 to pulley set screws. Insure set screws are aligned and tightened on flat sides of motor shaft.

Figure 3-32: Tilt Motor Assembly

## Crossmember Assembly

**21.9663.1811.01 (TS/TI) Rev J**  
**21.9663.1811.11 (AS/AI) Rev J**  
**21.9663.1811.21 (TSD/TID - 115V DIM) Rev J**  
**21.9663.1811.31 (TSE/TIE - 240V DIM) Rev J**

Refer to [Figure 3-33](#).

No.	Item	Qty.	UM.	Description
1	10.9663.1808	1	EA	TOGGLE, PAN
2	10.9663.1809	1	EA	ACTUATOR, TOGGLE PAN
3	10.9663.1821	1	EA	COVER, PAN TUBE
4	10.9663.1827	2	EA	NUT PLATE, PAN/TILT MOTOR
5	10.9663.1844	1	EA	SHIELD, WIRE PAN
6	10.9663.1846	1	EA	TETHER, PAN TUBE SAFETY
7	10.9663.1890	1	EA	PULLEY, PAN (changed 12-13-02)
8	<a href="#">21.9663.1812</a>	1	EA	ASSY, INNER CROSSMEMBER
9	<a href="#">21.9663.1813</a>	1	EA	ASSY, OUTER CROSSMEMBER
10	<a href="#">21.9663.1815</a>	1	EA	ASSY, PAN MOTOR
11	<a href="#">21.9663.1819.01</a>	1	EA	ASSY, PAN TUBE (TS/TI ONLY)
	<a href="#">21.9663.1819.11</a>	1	EA	ASSY, PAN TUBE (AS/AI ONLY)
	<a href="#">21.9663.1819.21</a>	1	EA	ASSY, PAN TUBE (115V DIMMER) (added 08-25-03)
	<a href="#">21.9663.1819.31</a>	1	EA	ASSY, PAN TUBE (240V DIMMER) (added 08-25-03)
12	24.9663.3230	1	EA	PCB ASSY, WHEEL SENSOR
-	<a href="#">25.9663.2001</a>	1	EA	CABLE ASSY, PAN EOT - NOT SHOWN
13	53.2020.0001	1	EA	NUT, 1/4-20 HEX STL ZINC PLTD
14	53.5509.1375	1	EA	SCREW, 8-32 X 3/8" PPZ TYPE F
15	53.6505.0009	1	EA	BOLT, 1/4-20 X 2 1/2" HX HD CAP ZINC
16	53.6552.0001	6	EA	SCREW, 8-32 X 1/2" PFZ
17	53.6556.0006	4	EA	SCREW, 4-40 X 3/8" LG PPZ TYPE F
18	53.6575.0020	14	EA	SCREW, 8-32 X 3/8" LG PFZ TYP-F THRD CUTNG
19	53.6617.0001	4	EA	SCREW, 6-32 X 1" PPB
20	54.1206.0014	3	EA	RING, RETAINING 1.375" SHAFT 1.291" GRV DIA .056" GRVWD EXTERNAL
21	54.2047.0024	1	EA	BELT, TIMING GT 3MM PITCH 150GRV 6MM WD NEOPRENE
22	55.2203.0001	2	EA	SCREW, 4-40 X 1/4 " PPZ
23	55.3301.0006	4	EA	WASHER, #6 FLAT SS
24	55.6563.0001	3	EA	SCREW, 10-32 X 1/4" PPZ
25	55.6568.0055	1	EA	SPRING, CPRSN .240"OD .813"LG .038" WIRE DIA MUSIC WIRE

No.	Item	Qty.	UM.	Description
26	55.6799.0001	1	EA	SHIM, 1.375" ID, 1.875" OD, 0.010" THK
27	55.6799.0002	1	EA	SHIM, 1.375" ID, 1.875" OD, 0.005" THK

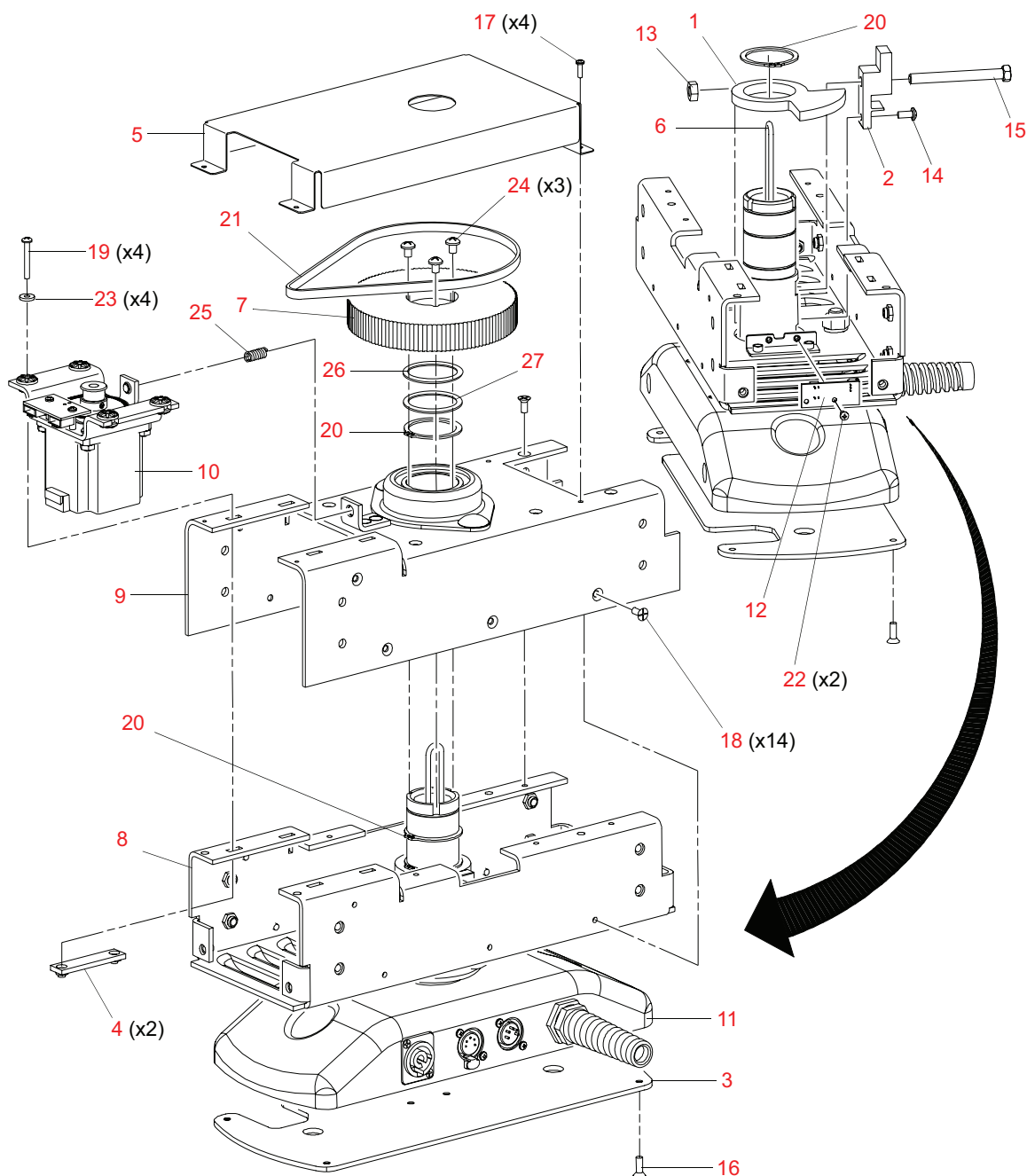


Figure 3-33: Crossmember Assembly

## Inner Crossmember Assembly

21.9663.1812 Rev D

Refer to [Figure 3-34](#).

No.	Item	Qty.	UM.	Description
1	10.9663.1805	1	EA	CROSSMEMBER, INNER
2	10.9678..0886	1	EA	SPACER, PAN BEARING .235" THK
3	53.2019.0001	2	EA	NUT, 3/8-16 HEX
4	53.6505.0022	2	EA	BOLT, 3/8-16 X 3/4"LG CARRIAGE GRD5 ZINC PLT
5	53.6539.0001	2	EA	WASHER, 3/8" SPLIT LOCK
6	54.1255.0002	1	EA	BEARING ASSY, FLUSH MOUNT HOUSING LARGE

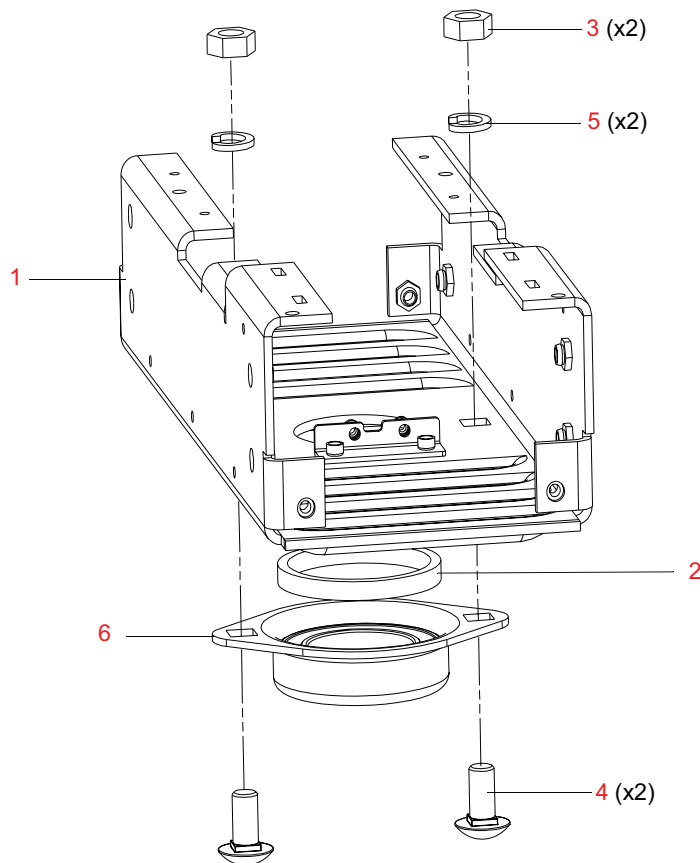


Figure 3-34: Crossmember Inner Assembly

## Outer Crossmember Assembly

21.9663.1813 Rev C

Refer to [Figure 3-35](#).

No.	Item	Qty.	UM.	Description
1	10.9663.1897	1	EA	SPACER, PAN BEARING
2	21.9663.1843	1	EA	ASSY, CROSSMEMBER OUTER
3	53.2019.0001	2	EA	NUT, 3/8-16 HEX
4	53.6505.0022	1	EA	BOLT, 3/8-16 X 3/4"LG CARRIAGE GRD5 ZINC PLT
5	53.6505.0023	1	EA	BOLT, 3/8-16 X 1 1/4"LG CARRIAGE GRD5 ZINC PLT
6	53.6539.0001	2	EA	WASHER, 3/8" SPLIT LOCK
7	54.1255.0001	1	EA	BEARING ASSY, BLACK FLUSH MOUNT HOUSING

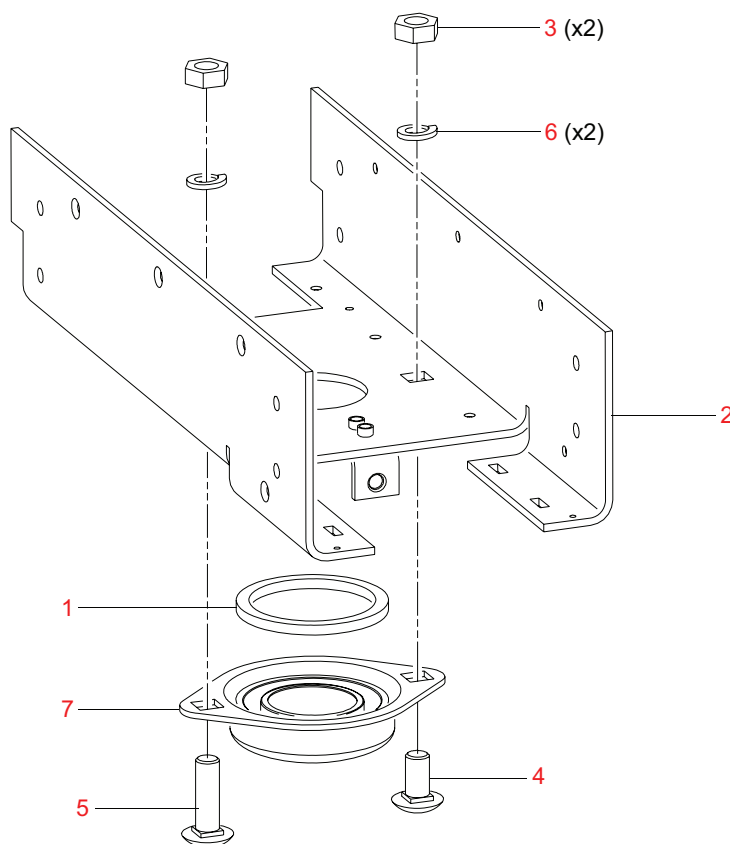


Figure 3-35: Crossmember Outer Assembly



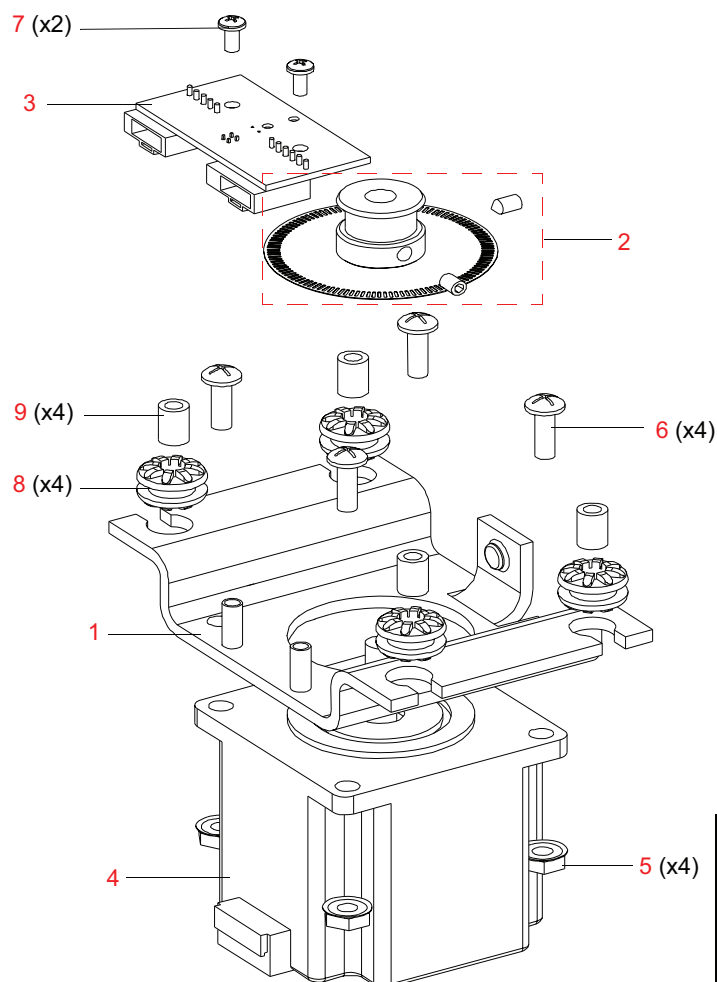
## Pan Motor Assembly

### 21.9663.1815 Rev D

Refer to [Figure 3-36](#).

No.	Item	Qty.	UM.	Description
1	10.9663.1817	1	EA	MOUNT, MOTOR TILT
2	21.9663.1818	1	EA	ASSY, DRIVE PULLEY
	- 10.9663.1810	1	EA	PULLEY, DRIVING - PAN/TILT
	- 10.9663.8820	1	EA	CODEWHEEL
	- 53.5561.0250	2	EA	SCREW, 6-40 X 1/4" SET CONE POINT
3	24.9661.9629	1	EA	PCB ASSY, PAN/TILT ENCODER
4	44.9663.1850	1	EA	MOTOR, 23 .81" SHAFT 12MH 6 OHM
5	53.2200.0008	4	EA	NUT, 8-32 KEPS SS
6	53.6521.0001	4	EA	SCREW, 8-32 X 1/2" PPB
7	55.2203.0001	2	EA	SCREW, 4-40 X 1/4 PPZ
8	55.6579.0015	4	EA	GROMMET, 3/8"HOLE .226"ID .125"THK VERSA-DAMP
9	55.6655.0005	4	EA	SPACER, 1/4"RND .359"LG .141"THRU ALUM

## Pan Motor Assembly (continued)



Note: Vari-Lite recommends that this assembly be replaced as a complete assembly. Although you can replace only the motor, the pulley (Item 2) is bonded to the motor shaft during assembly and cannot be removed intact. If you order a replacement motor (Item 4), also order the pulley (Item 2). Contact Vari-Lite Customer Service for installation information.

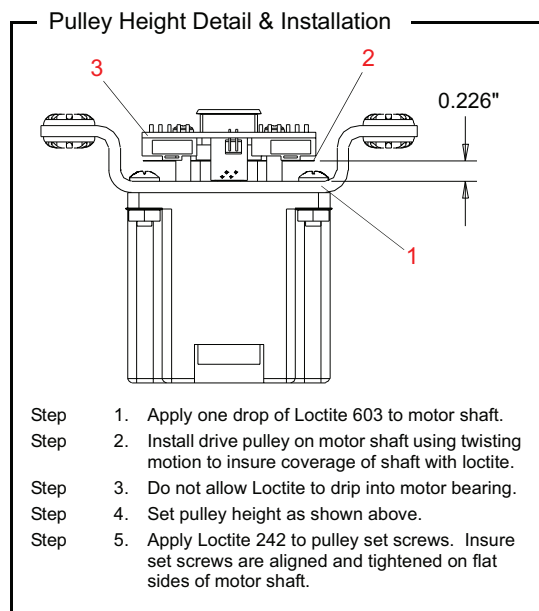


Figure 3-36: Pan Motor Assembly

## Pan Tube Assembly

**21.9663.1819.01 (TS/TI) Rev P**

**21.9663.1819.11 (AS/AI) Rev P**

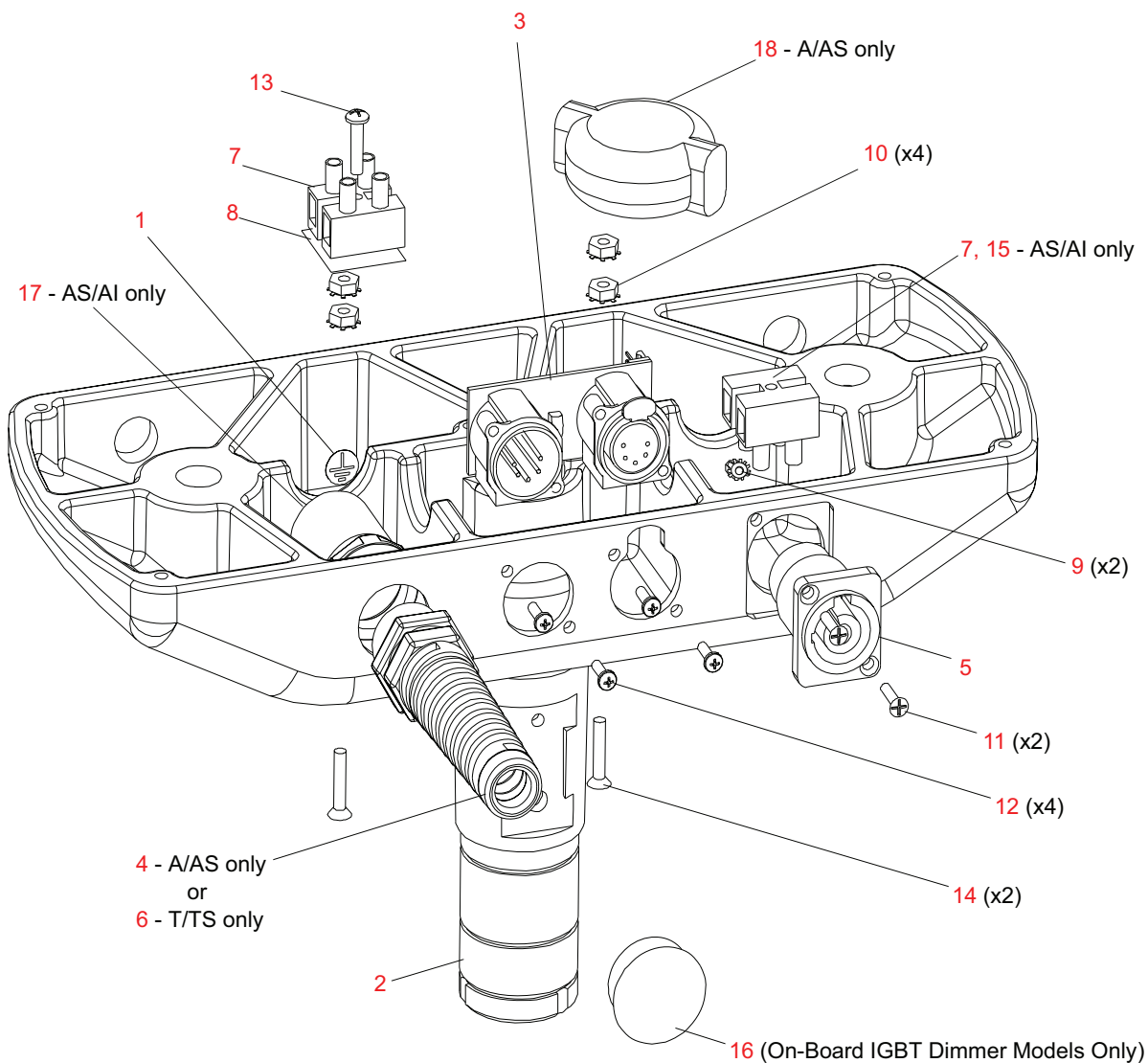
**21.9663.1819.21 (115V Dim) Rev P**

**21.9663.1819.31 (240V Dim) Rev P**

Refer to [Figure 3-37](#).

No.	Item	Qty.	UM.	Description
1	04.9640.0374	1	EA	LABEL, P.E. GROUND
2	10.9663.1851	1	EA	PAN TUBE, TOP
3	<a href="#">24.9663.3895</a>	1	EA	PCB ASSY, DMX INPUT
4	<a href="#">25.9663.1921</a>	1	EA	CABLE ASSY, ARC POWER INPUT (PIGTAIL) (AS/AI ONLY)
5	<a href="#">25.9663.2015.01</a>	1	EA	CABLE ASSY, NEUTRIK CONNECTOR, 115V
-	<a href="#">25.9663.2816.01</a>	1	EA	CABLE ASSY, INC. LVS AC INPUT (TS/TI ONLY) - NOT SHOWN
	<a href="#">25.9663.2816.11</a>	1	EA	CABLE ASSY, ARC LVS AC INPUT (AS/AI ONLY) - NOT SHOWN
-	<a href="#">25.9663.2021</a>	1	EA	CABLE ASSY, BALLAST CNTRL LINK (AS/AI ONLY) - NOT SHOWN
-	<a href="#">25.9663.2022</a>	1	EA	CABLE ASSY, DATA I/O LINK - NOT SHOWN
6	<a href="#">25.9663.2030</a>	1	EA	CABLE ASSY, STRAIN RELIEF (TS/TI ONLY)
-	<a href="#">25.9663.2033</a>	1	EA	CABLE ASSY, LAMP PWR INC. (TS/TI ONLY) - NOT SHOWN
-	<a href="#">25.9663.2035</a>	1	EA	CABLE ASSY, ARC PWR TO IGNITOR (AS/AI ONLY) - NOT SHOWN
7	52.8295.0002	2	EA	TERMINAL STRIP, 300V 12AWG 20A 2 POS. (AS/AI ONLY)
	52.8295.0002	1	EA	TERMINAL STRIP, 300V 12AWG 20A 2 POS. (TS/TI ONLY)
8	52.8295.1002	1	EA	SPACER, TERMINAL STRIP, 600V, 2 POS (AS/TS ONLY)
9	53.2200.0004	2	EA	NUT, 4-40 KEPS SS
10	53.2200.0006	4	EA	NUT, 6-32 KEPS SS
11	53.6536.0001	2	EA	SCREW, 4-40 X 1/2" PFZ
12	51-0541	4	EA	SCREW, 4 X 3/8" LG H/L PPZ
13	53.6558.0014	1	EA	SCREW, 6-32 X 3/4" PPZ TYPE F THD CUTTING (AS/TS ONLY)
14	53.6582.0001	2	EA	SCREW, 6-32 X 3/4" PFZ
15	55.2199.1000	0.17	FT	HEATSHRINK, 1" BLACK (AS/TS ONLY)
16	55.6662.0009	1	EA	HOLE PLUG, 7/8" HOLE DIA., BLACK (DIM ONLY)
17	67.4018.0043	1	EA	FERRITE CORE, ROUND CABLE EMI 25.9MMX28.6MM (AS/AI ONLY)
18	68.4536.0003	1	EA	CHOKE ASSY, COMON MODE (AS/AI ONLY)

**Pan Tube Assembly (continued)**



**Figure 3-37: Pan Tube Assembly**

## DMX Input PCB Assembly

24.9663.3895 Rev 0

Refer to [Figure 3-38](#).

No.	Item	Qty.	UM.	Description	Ref
1	11.9663.1830	1	EA	PCB FAB, DMX INPUT	-
2	52.6259.0006	1	EA	HEADER, 5POS MTA FRCT LOK STRT	J3
3	52.6625.0006	1	EA	CONN, RECEPT XLR 5PIN FEMALE	J1
4	52.6626.0006	1	EA	CONN, RECEPT XLR 5PIN MALE	J2
5	62.3039.0102	1	EA	CAP, 1000PF 250V RAD CER DISC 20% X-Y	C1

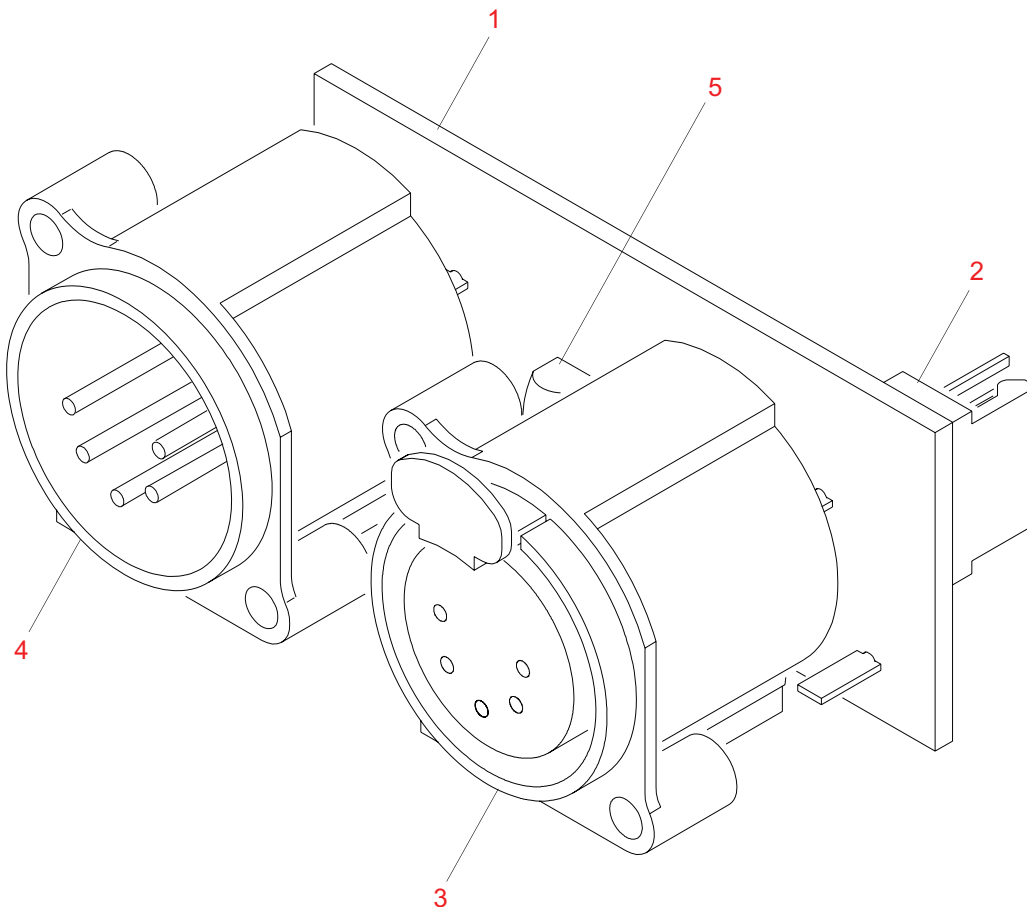


Figure 3-38: DMX Input PCB Assembly

## Cables

### Arc Power Input (Pigtail) Cable Assembly

**25.9663.1921 Rev M**

Refer to [Figure 3-39](#).

No.	Item	Qty.	UM.	Description
1	52.6274.2316	1	EA	STRAIN RELIEF, SKINTOP FLEX TYPE PG16 BLK
2	52.6400.0110	1	EA	PLUG, 17-9 STD SEX CPC 600V KEY A
3	52.6431.0002	1	EA	BACKSHELL, CPC17 NYLON .300-.525 cbl rng (changed 02-14-04)
4	52.6523.0004	1	EA	CONN, HOUSING 4POS PLUG SHROUDED WIRE TO WIRE
5	52.8210.0002	4	EA	SOCKET, GOLD 24-20AWG TYPE3+ 0.080-0.100 INS DIA
6	52.8231.0005	1	EA	TERM, RING #6 BLUE 16-14 AWG REEL PIDG
7	52.8298.1146	2	EA	FERRULE, WIRE 1X14 AWG L2=8MM BLUE
8	52.8298.1160	2	EA	FERRULE, WIRE 1X16 AWG L2=8MM BLACK
9	52.8342.0001	3	EA	SOCKET, GOLD 18-14AWG TYPE 3+ REEL 0.11-0.15 INS DIA
10	52.8344.0003	2	EA	SOCKET, CPC POWER 14AWG 13A LOOSE
11	52.8366.0001	4	EA	CONTACT, 22-24AWG MALE CRIMP
12	55.2183.0001	0.08	FT	HEATSHRINK, 1/2" BLACK
13	55.2199.0002	0.33	FT	HEATSHRINK, 1/16" CLEAR
14	73.7087.0013	4	FT	CABLE, COMPOSITE VL1000 ARC POWER INPUT

## Arc Power Input Cable Assembly (continued)

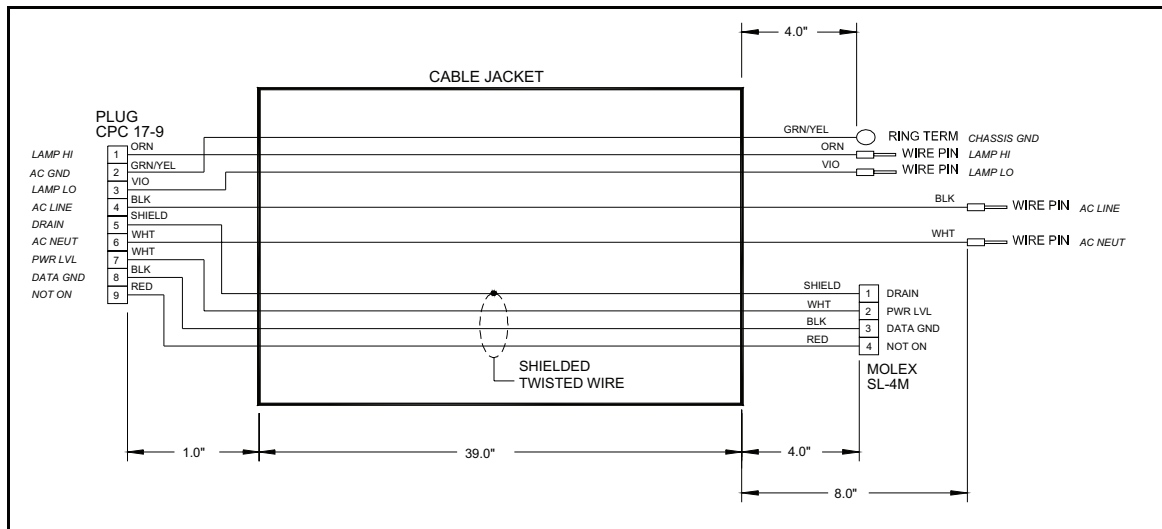
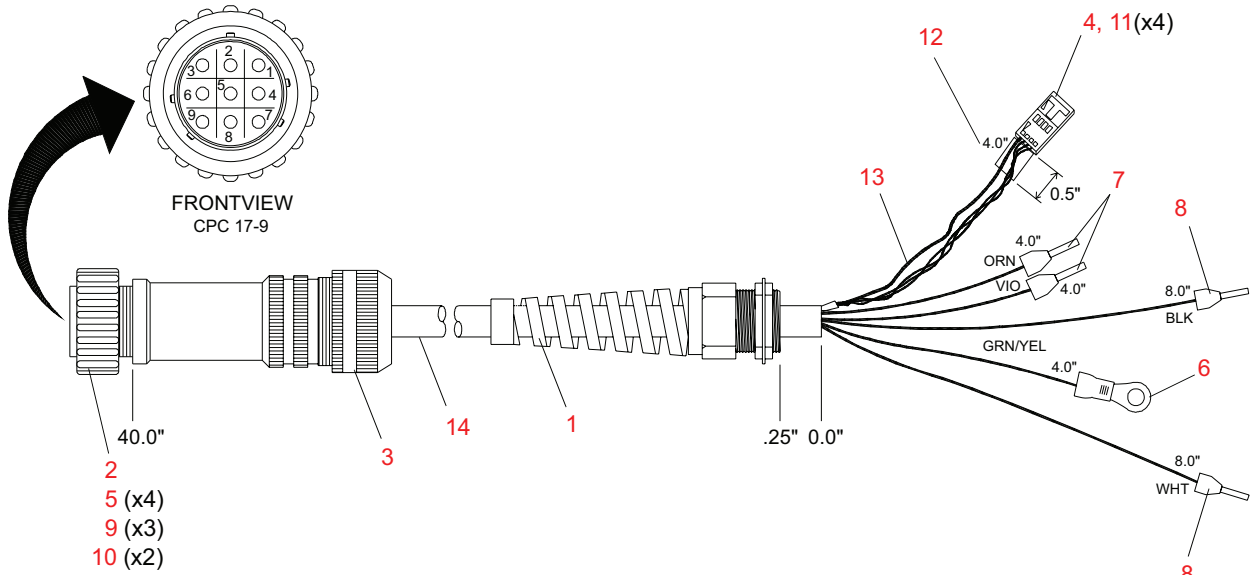


Figure 3-39: Arc Power Input (Pigtail) Cable Assembly

## Pan EOT Cable Assembly

25.9663.2001 Rev A

Refer to Figure 3-40.

No.	Item	Qty.	UM.	Description
1	52.6467.0003	1	EA	CONN, FEM PLUG 3 POS 30-24 AWG CRIMP PHR
2	52.6467.0024	3	EA	CONTACT, SOCKET 30-24AWG CRIMP (REEL) PH (JST)
3	52.6524.0006	1	EA	CONN, HOUSING 6POS RECEPTACLE
4	52.8346.0001	3	EA	CONTACT, 24-30AWG FEMALE CRIMP
5	73.5126.0029	1.08	FT	WIRE, 26AWG 3COND 300V 80C <BLK-RED-WHT> UL1061, 19 STRND

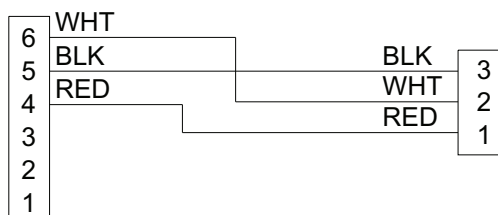
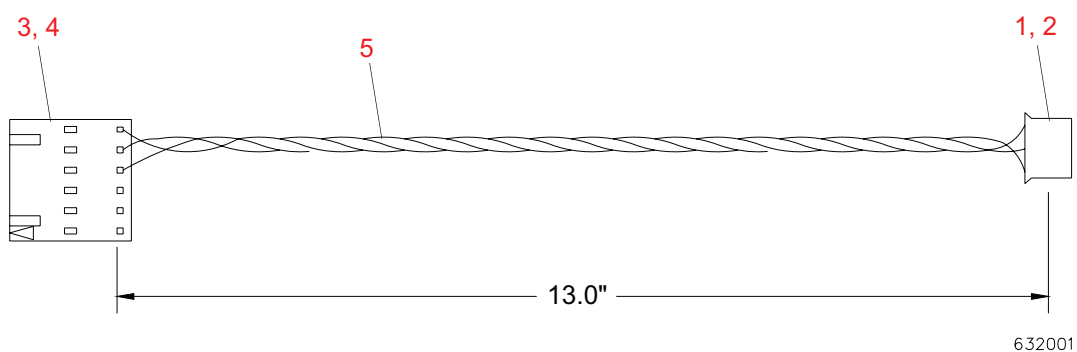


Figure 3-40: Pan EOT Cable Assembly



## Tilt COT Cable Assembly

25.9663.2002 Rev A

Refer to [Figure 3-41](#).

No.	Item	Qty.	UM.	Description
1	52.6467.0003	1	EA	CONN, FEM PLUG 3 POS 30-24 AWG CRIMP PHR
2	52.6467.0024	3	EA	CONTACT, SOCKET 30-24AWG CRIMP (REEL) PH (JST)
3	52.6524.0006	1	EA	CONN, HOUSING 6POS RECEPTACLE
4	52.8346.0001	3	EA	CONTACT, 24-30AWG FEMALE CRIMP
5	73.5126.0029	2.75	FT	WIRE, 26AWG 3COND 300V 80C <BLK-RED-WHT> UL1061, 19 STRND

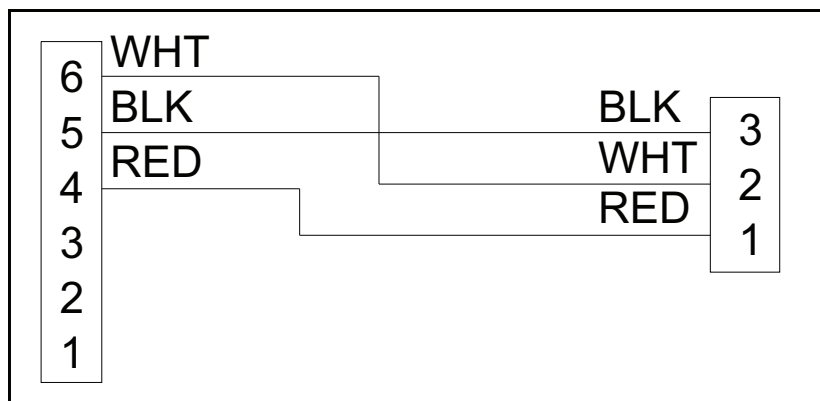
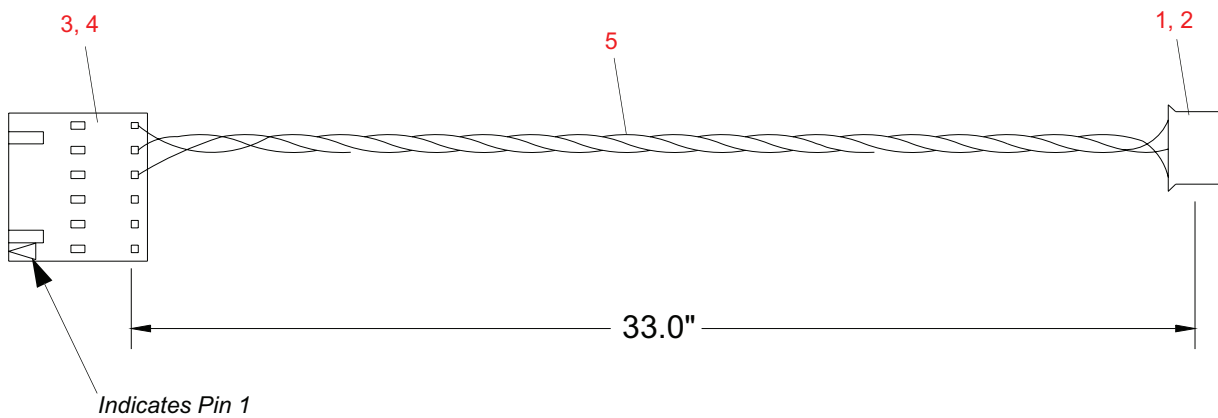


Figure 3-41: Tilt COT Cable Assembly

## AC Line Input Cable Assembly

25.9663.2015.01 Rev C

Refer to [Figure 3-42](#).

No.	Item	Qty.	UM.	Description
1	52.6541.0003	1	EA	CONN, CHASSIS PWR INLET 3POLE LOCKING (115V)
2	52.8231.0005	1	EA	TERM, RING #6 BLUE 16-14 AWG REEL PIDG
3	52.8331.0003	1	EA	RECEPT, FASTON .187" 16-14AWG PIDG BLUE (REEL) .170"ID
4	73.3516.0504	0.42	FT	WIRE, 16AWG 300V 105C PVC GRN/YEL UL1569

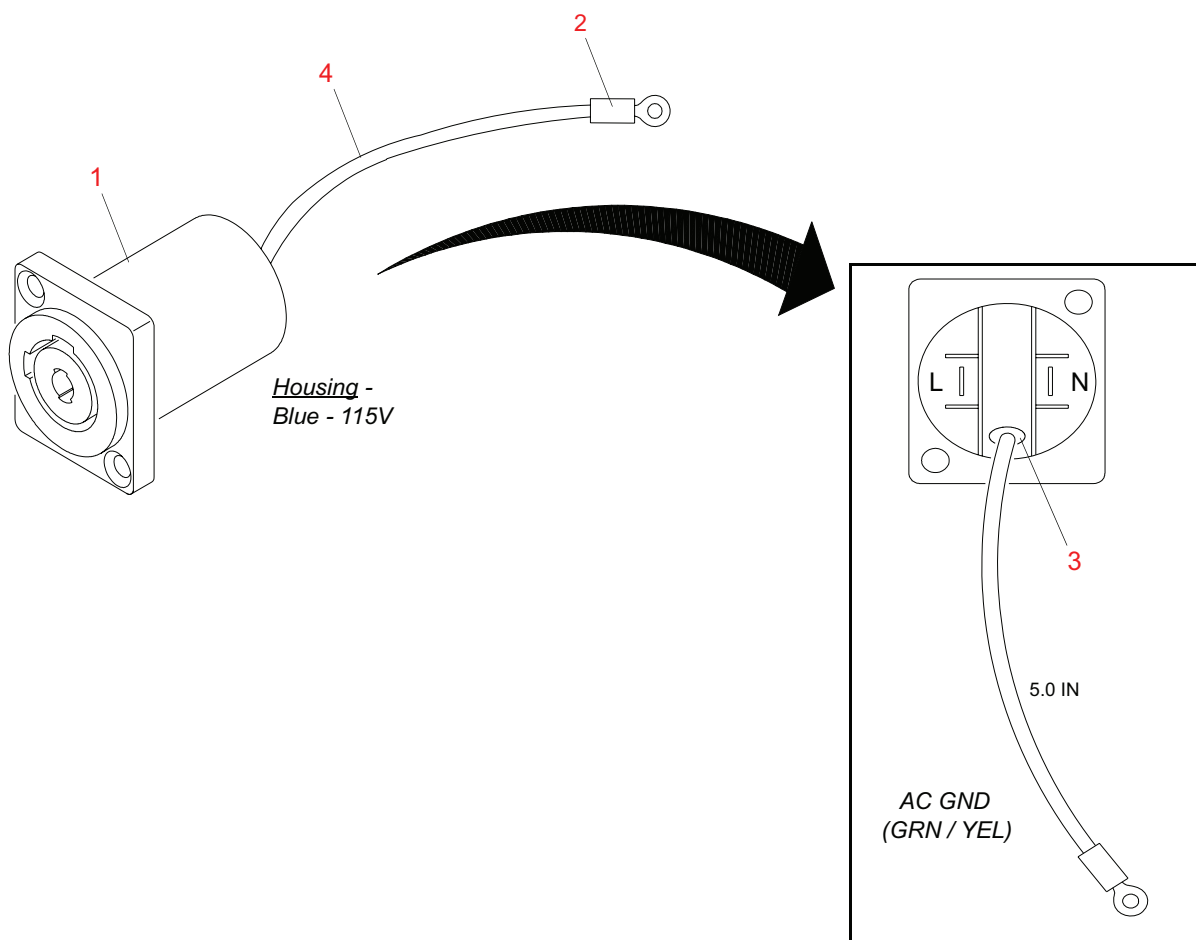


Figure 3-42: AC Line Input Cable Assembly

## Incandescent LVS AC Input Cable Assembly

25.9663.2816.01 Rev B

(Formally 25.9663.2016.01 Rev 0)

Refer to [Figure 3-43](#).

No.	Item	Qty.	UM.	Description
1	52.8331.0003	2	EA	RECEPT, FASTON .187" 16-14AWG PIDG BLU .170" ID
2	52.8362.0001	4	EA	TERM, RING #6 16-14 AWG INS SMALL DIAMETER
3	55.2186.0001	3	EA	CABLE TIE, .10"WD 4.00"LG SMALL
4	73.7089.0000	12.33	FT	WIRE, 22AWG BLK 300V TEFLON STRANDED
5	73.7089.0009	12.33	FT	WIRE, 22AWG WHT TEFLON STRANDED
6	73.7089.0504	9.33	FT	WIRE, 22AWG 300V 200C TEF GRN/YEL UL1180

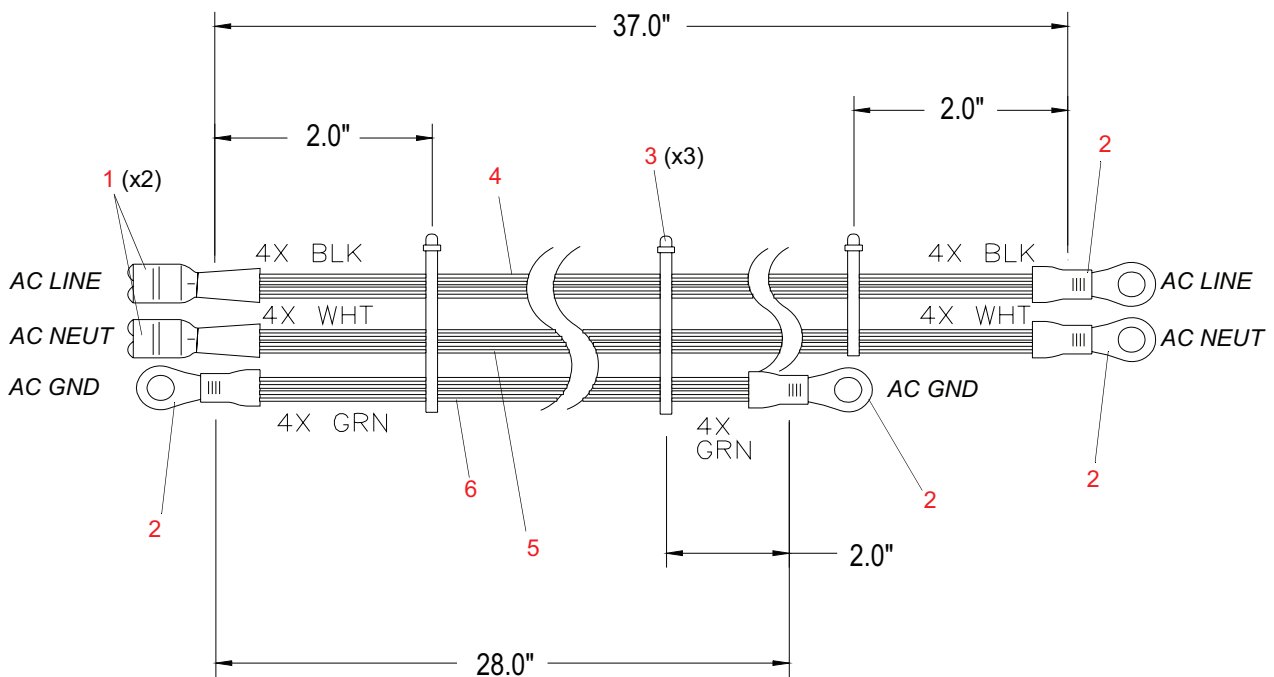


Figure 3-43: Incandescent LVS AC Input Cable Assembly

## Arc LVS AC Input Cable Assembly

25.9663.2816.11 Rev B

(Formally 25.9663.2016.11 Rev 0)

Refer to [Figure 3-44](#).

No.	Item	Qty.	UM.	Description
1	52.8298.1160	2	EA	WIRE, FERRULE, 1X 16 AWG L2-8MM BLK
2	52.8362.0001	4	EA	TERM, RING #6 16-14 AWG INS SMALL DIAMETER
3	55.2186.0001	3	EA	CABLE TIE, .10"WD 4.00"LG SMALL
4	73.7089.0000	12.33	FT	WIRE, 22AWG BLK 300V TEFLON STRANDED
5	73.7089.0009	12.33	FT	WIRE, 22AWG WHT TEFLON STRANDED
6	73.7089.0504	9.33	FT	WIRE, 22AWG 300V 200C TEF GRN/YEL UL1180

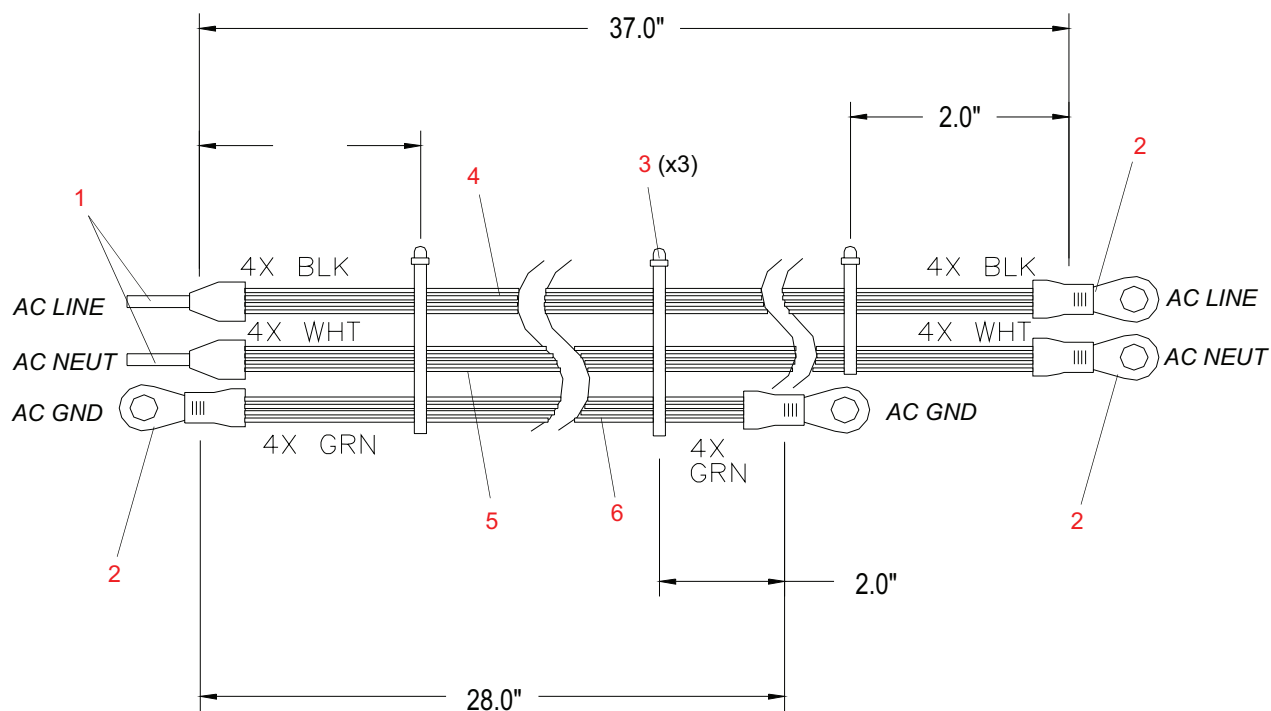


Figure 3-44: Arc LVS AC Input Cable Assembly

---

## LVS Chassis Ground Cable Assembly

25.9663.2817 Rev B

(Formaly 25.9663.2017 Rev B)

Refer to [Figure 3-45](#)

No.	Item	Qty.	UM.	Description
1	52.8362.0001	2	EA	TERM, RING #6 BLUE 16-14 AWG SMALL DIAMETER
2	73.3516.0504	1.0	FT	WIRE, 16AWG 300V 105C PVC GRN/YEL UL1569 (changed 09-11-03)

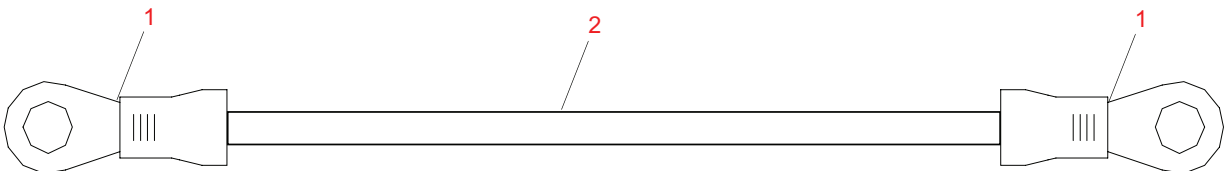


Figure 3-45: LVS Chassis Ground Cable Assembly

## Head to Backcap Ground Cable Assembly

25.9663.2018 Rev G

Refer to [Figure 3-46](#).

No.	Item	Qty.	UM.	Description
1	55.2036.0001	2	EA	SLEEVE, 1/16" ROPE DIA. ALUM OVAL COMPRESSION
2	73.7188.0002	1.92	FT	WIRE ROPE, 1/16" ROPE DIA. 7X7 GALV STEEL (changed 11-19-03)

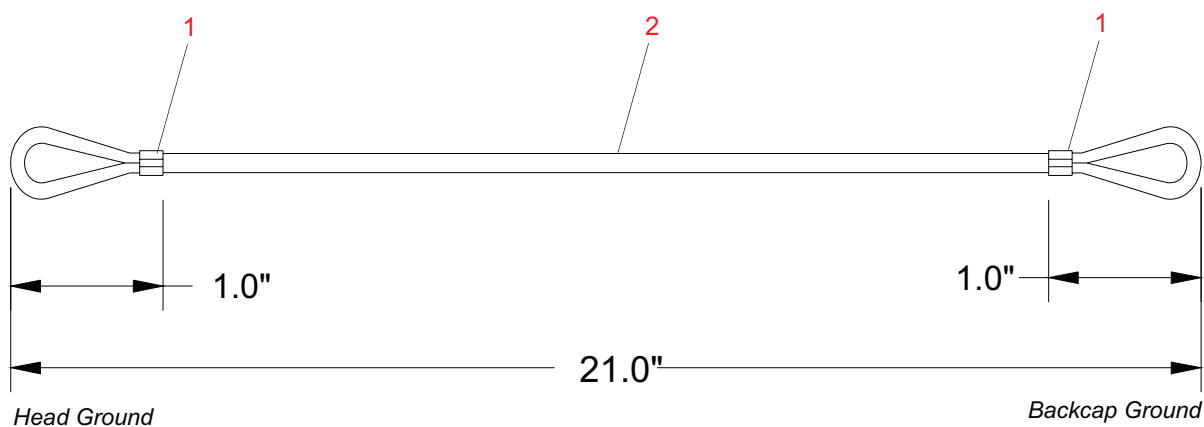


Figure 3-46: Head to Backcap Ground Cable Assembly

## Yoke to Head Ground Cable Assembly

25.9663.2019 Rev B

Refer to [Figure 3-47](#).

No.	Item	Qty.	UM.	Description
1	52.8231.0005	2	EA	TERM, RING #6 BLUE 16-14 AWG REEL PIDG
2	73.7089.0504	4	FT	WIRE, 22AWG 300V 200C TEF GRN/YEL UL1180

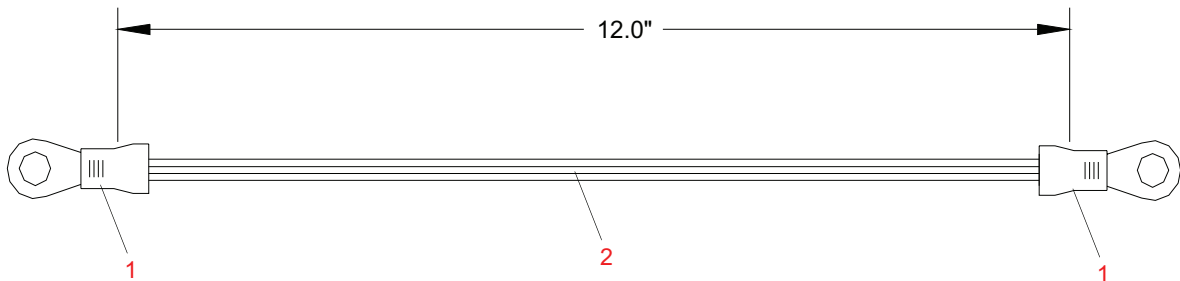


Figure 3-47: Yoke to Head Ground Cable Assembly

## Pan/Tilt Control Cable Assembly

**25.9663.2020 Rev B**

Refer to [Figure 3-48](#).

No.	Item	Qty.	UM.	Description
1	52.6610.0008	1	EA	HOUSING, 20POS 26-22AWG UNLOADED MT RECEPT DBL ROW
	52.8351.0004	18	EA	CONTACT, 26-22 AWG RECP MTE ( <b>NOT SHOWN</b> )
2	52.6224.1020	1	EA	COVER, FRONT 20POS MT LATCHING
3	52.6224.2020	1	EA	COVER, BACK 20POS MT
4	52.6524.0005	2	EA	CONN, HOUSING 5POS RECEPTACLE
5	52.6588.0006	2	EA	HOUSING, 6POS XH 250V/3A 2.5MMPITCH -USE SXH CONTACTS
6	52.7007.0001	8	EA	CONTACT, 28-22AWG PHOSPHOR BRONZE TIN-PLT SXH
7	52.8346.0001	10	EA	CONTACT, 24-30AWG FEMALE CRIMP
8	73.5116.0123	2.67	FT	WIRE, 24AWG 4COND TW 300V 80C <BLK-BRN-RED-ORG> UL1061
9	73.5124.1289	2.33	FT	WIRE, 24AWG 5COND 300V 80C (BLK-BRN-RED-GRY-WHT)



## Pan/Tilt Control Cable Assembly (continued)

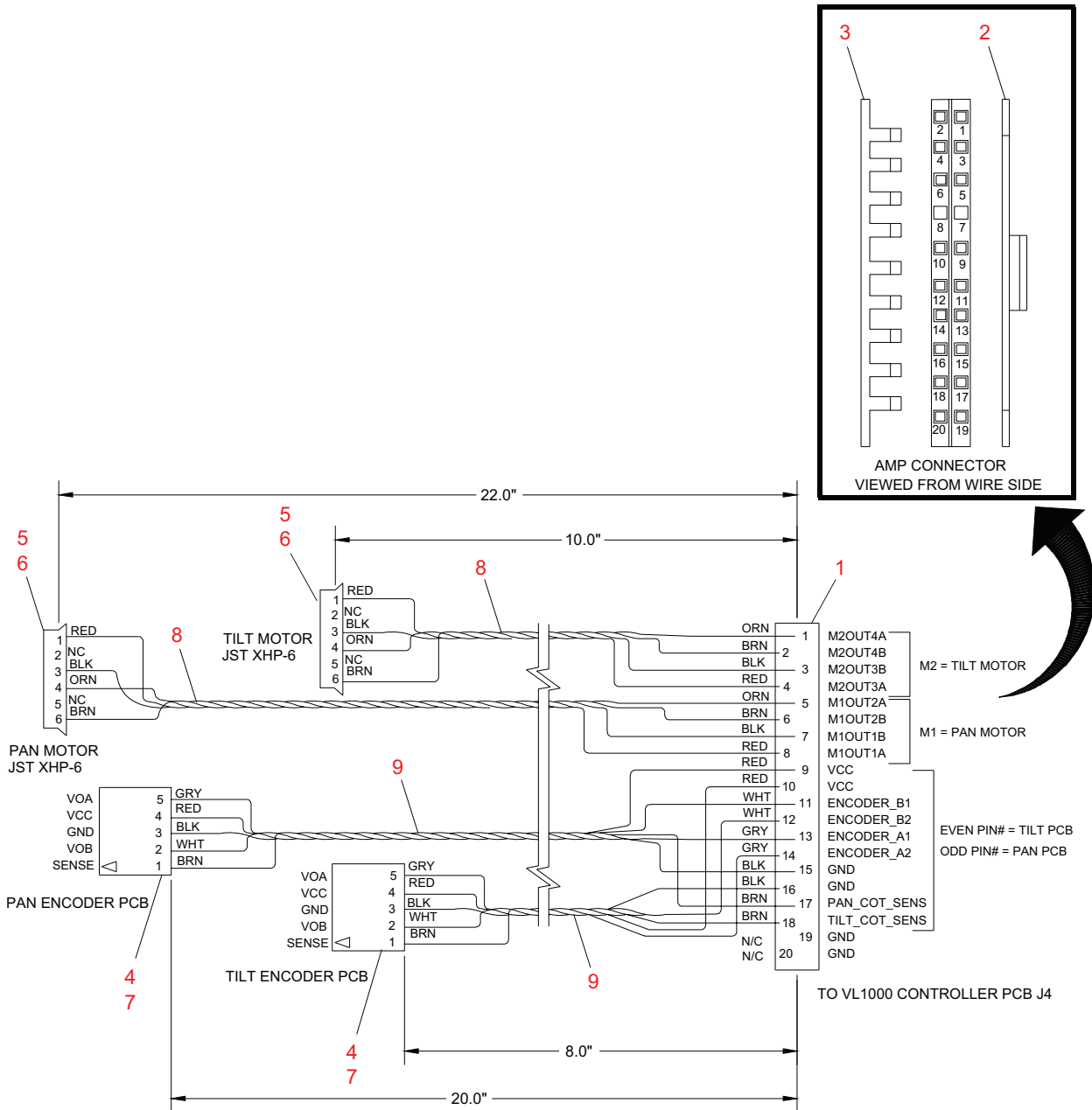


Figure 3-48: Pan/Tilt Control Cable Assembly

## Ballast Control Link Cable Assembly

25.9663.2021 Rev A

Refer to [Figure 3-49](#).

No.	Item	Qty.	UM.	Description
1	53.6396.2904	1	EA	RECEPT, 4POS MTA100 W/POL TAB RED CLSD END
2	52.6524.0004	1	EA	CONN, HOUSING 4POS RECEPTACLE
3	52.8367.0001	4	EA	CONTACT, 22-24AWG FEMALE CRIMP
4	55.2186.0001	2	EA	CABLE TIE, .10"WD 4.00"LG SMALL
5	73.5122.0259	2	FT	WIRE, 22AWG 4COND 300V 80C <BLK-RED-GRN-WHT> UL1061, 19 STRAND

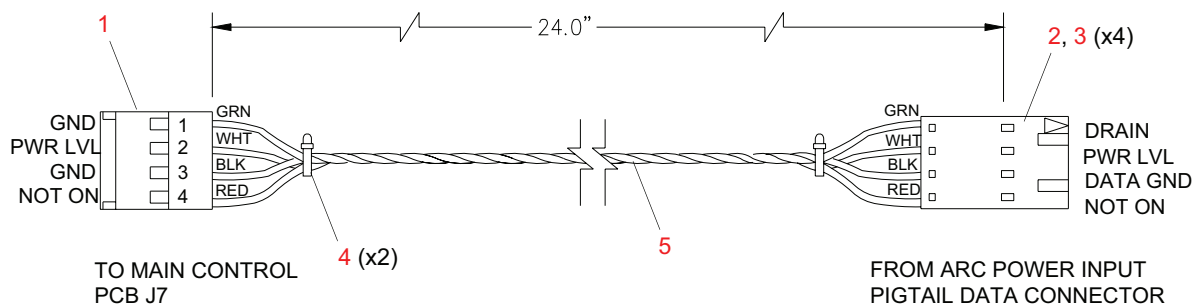


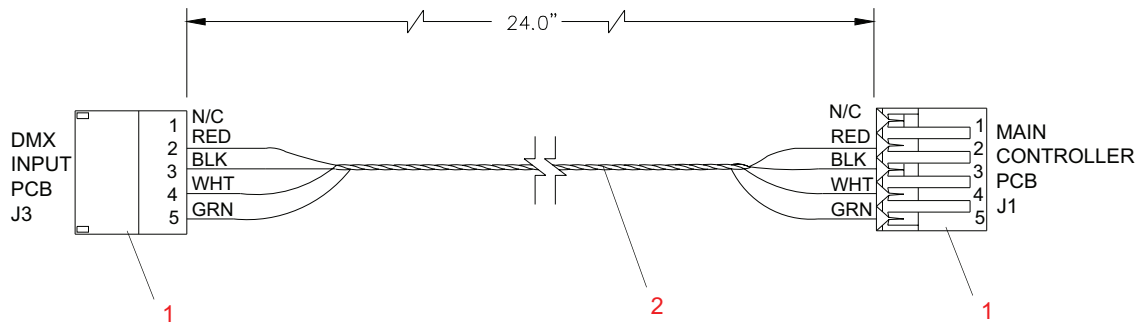
Figure 3-49: Ballast Control Link Cable Assembly

## Data I/O Link Cable Assembly

25.9663.2022 Rev B

Refer to [Figure 3-50](#).

No.	Item	Qty.	UM.	Description
1	53.6396.2205	2	EA	RECEPT, 5POS MTA100 W/POL TAB RED CLSD END
2	73.5122.0259	2	FT	WIRE, 22AWG 4COND 300V 80C <BLK-RED-GRN-WHT> UL1061, 19 STRAND



PIN	COLOR	DMX SIGNAL	VARI-LITE SIGNAL
1	N/C	-	-
2	RED	COM IN+	BDCAST+
3	BLACK	COM IN-	BDCAST-
4	WHITE	COM OUT+	REPLY+
5	GREEN	COM OUT-	REPLY-

Figure 3-50: Data I/O Link Cable Assembly

## LVS DC Output Cable Assembly

25.9663.2824 Rev A

Refer to [Figure 3-51](#)

No.	Item	Qty.	UM.	Description
1	52.6442.1805	1	EA	RECEPT, MTA156 W/TAB ORN 5POS 18AWG CLOSED END
2	52.8362.0001	2	EA	TERM, RING #6 BLUE 16-14 AWG SMALL DIAMETER
3	55.2186.0001	2	EA	CABLE TIE, .10"WD 4.00"LG SMALL
4	73.3518.0002	3	FT	WIRE, 18AWG 300V 105C PVC RED UL1569
5	73.3518.0010	3	FT	WIRE, 18AWG 300V 105C PVC BLK UL1569

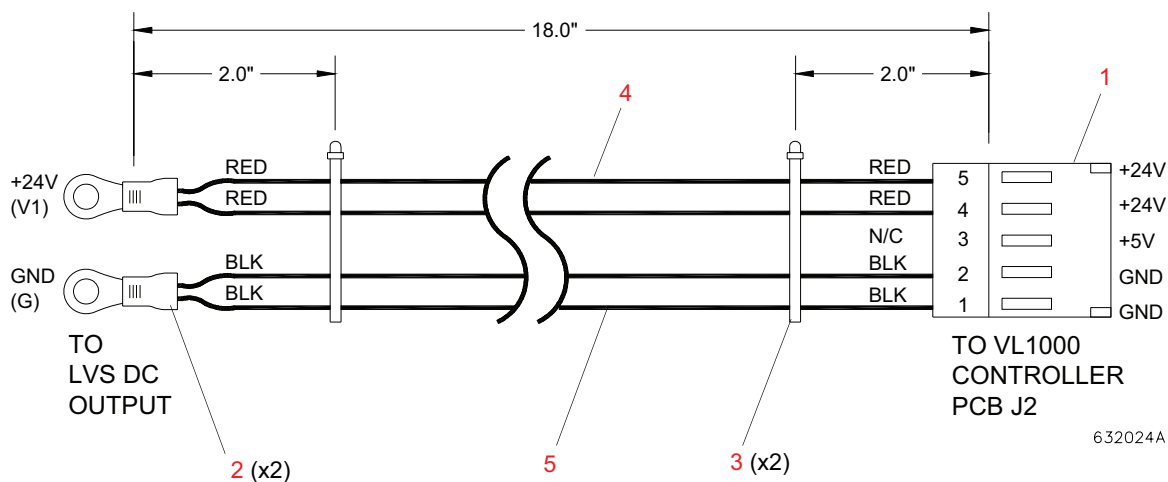


Figure 3-51: LVS DC Output Cable Assembly

## Incandescent Power Input Cable Assembly

25.9663.2030 Rev A

Refer to [Figure 3-52](#).

No.	Item	Qty.	UM.	Description
1	52.6274.2313	1	EA	STRAIN RELIEF, SKINTOP FLEX TYPE PG13 BLK
2	52.8231.0005	1	EA	TERM, RING #6 BLUE 16-14 AWG REEL PIDG
3	52.8298.1160	2	EA	FERRULE, WIRE 1X16 AWG L2=8MM BLACK
4	55.2268.0187	1	FT	HEATSHRINK, 3/16" CLEAR KYNAR VDE UL 600V 150DEG C
5	55.2268.0500	0.13	FT	HEATSHRINK, 1/2" CLEAR KYNAR VDE UL 600V 150DEG C
6	73.9636.0153	4	FT	CORDAGE, 1.5/3 750V 60C EURO BLK HD-22 11MMOD

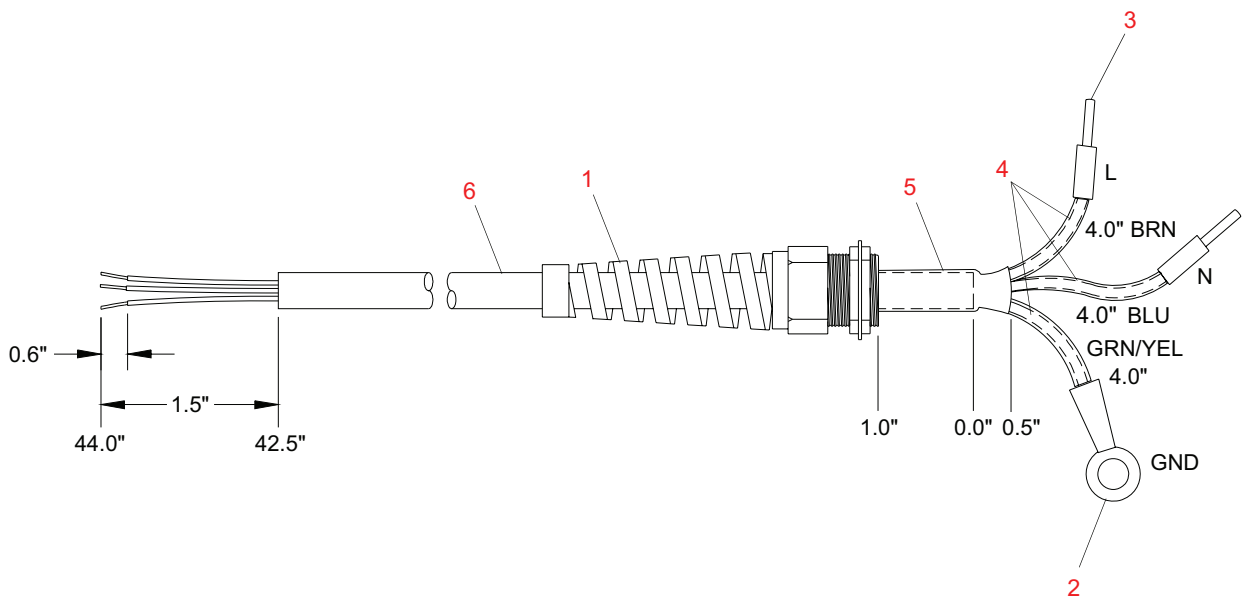


Figure 3-52: Incandescent Power Input Cable Assembly

## Incandescent Lamp Power Cable Assembly

25.9663.2033 Rev G

Refer to Figure 3-53.

No.	Item	Qty.	UM.	Description
1	25.9663.2018	1	EA	CABLE ASSY, HEAD TO BACKCAP GND
2	52.8298.1160	2	EA	FERRULE, WIRE 1X16 AWG L2=8MM BLACK
3	52.8386.0001	2	EA	CONN, BUTT SPLICE 16-22AWG UNISULATED SOLISTRAND
4	55.2186.0002	1	EA	CABLE TIE, .09"WD 3.750"LG TEFZEL
5	55.2200.0003	0.33	FT	HEATSHRINK, 3/16" VITON
6	55.2260.0133	4.0	FT	SLEEVING, FIBERGLASS .133" ID
7	55.2260.0294	1.75	FT	SLEEVING, FIBERGLASS .294" ID
8	73.6616.0011	3.5	FT	WIRE, 16AWG 600V 600C MICA TAPE TAN
9	73.7089.0001	16	FT	WIRE, 22AWG BRN 300V TEFLON STRANDED
10	73.7089.0006	16	FT	WIRE, 22AWG VIO TEFLON STRANDED

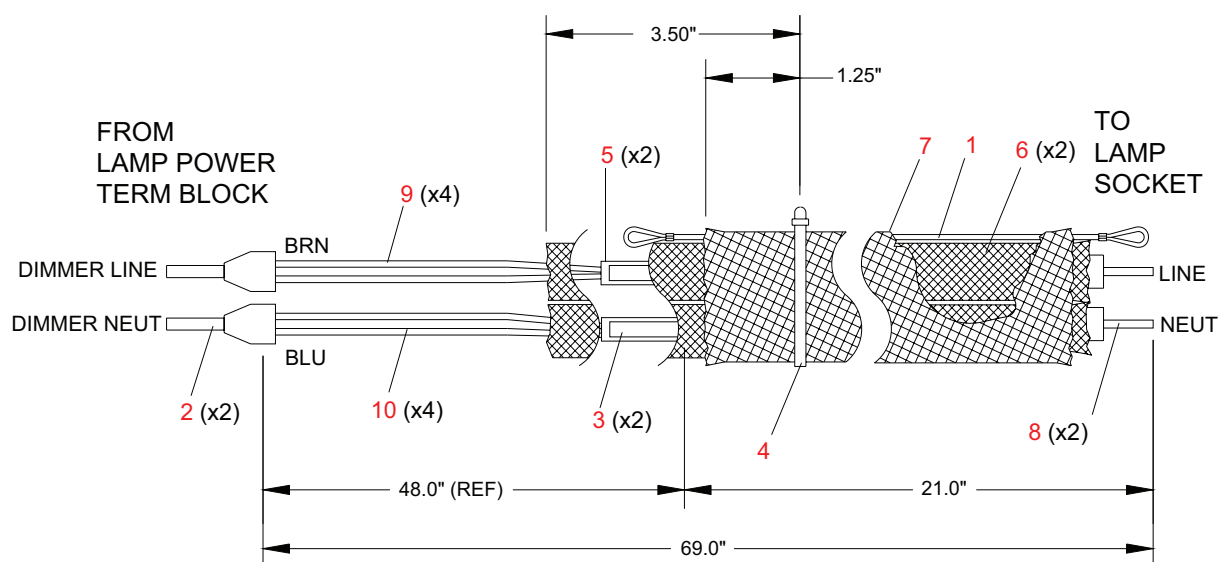


Figure 3-53: Incand Power to Lamp Socket Cable Assembly

## Arc Power to Ignitor Cable Assembly

25.9663.2035 Rev C

Refer to [Figure 3-54](#).

No.	Item	Qty.	UM.	Description
1	52.8231.0005	2	EA	TERM, RING #6 BLUE 16-14 AWG REEL PIDG
2	52.8298.2160	2	EA	FERRULE, WIRE 2X16 AWG L2=8MM BLACK
3	55.2186.0001	2	EA	CABLE TIE, .10"WD 4.00"LG SMALL
4	55.6699.0003	2.67	FT	SLEEVING, 1/2"NOM.DIA. POLY EXP BRAIDED
5	73.6222.0003	12	FT	WIRE, 22AWG 600V 200C TFE ORN UL1199
6	73.6222.0007	12	FT	WIRE, 22AWG 600V 200C TFE VIO UL 1199

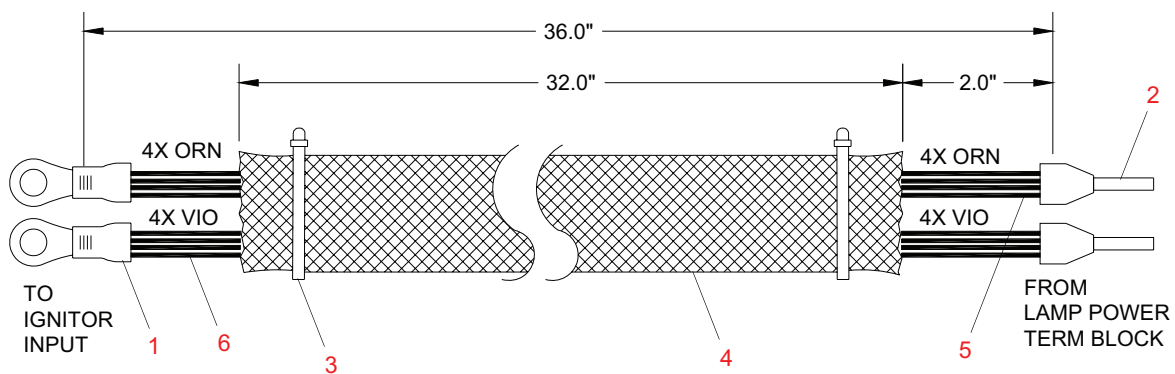


Figure 3-54: Arc Power to Ignitor Cable Assembly

## Ignitor to Lamp Socket Cable Assembly

25.9663.2036 Rev H

Refer to [Figure 3-55](#).

No.	Item	Qty.	UM.	Description
1	25.9663.2018	1	EA	CABLE ASSY, HEAD TO BACKCAP GND
2	52.8231.0005	2	EA	TERM, RING #6 BLUE 16-14 AWG REEL PIDG (changed 12-13-02)
3	55.2260.0166	5.50	FT	SLEEVING, FIBERGLASS .166" ID (changed 12-13-02)
4	55.2260.0294	1.75	FT	SLEEVING, FIBERGLASS .294" ID (changed 12-13-02)
5	73.7100.0001	2.17	FT	WIRE, 16AWG 20KVDC 41/32 STRD 200C SILICONE
6	73.7190.0001	3.5	FT	WIRE, 250 DEG C
7	52.8274.1614	2	EA	CONNECTOR, BUTT SPLICE, 16-14 PIDG
8	55.2200.0003	.33	FT	HEAT SHRINK, 3/16" VITON

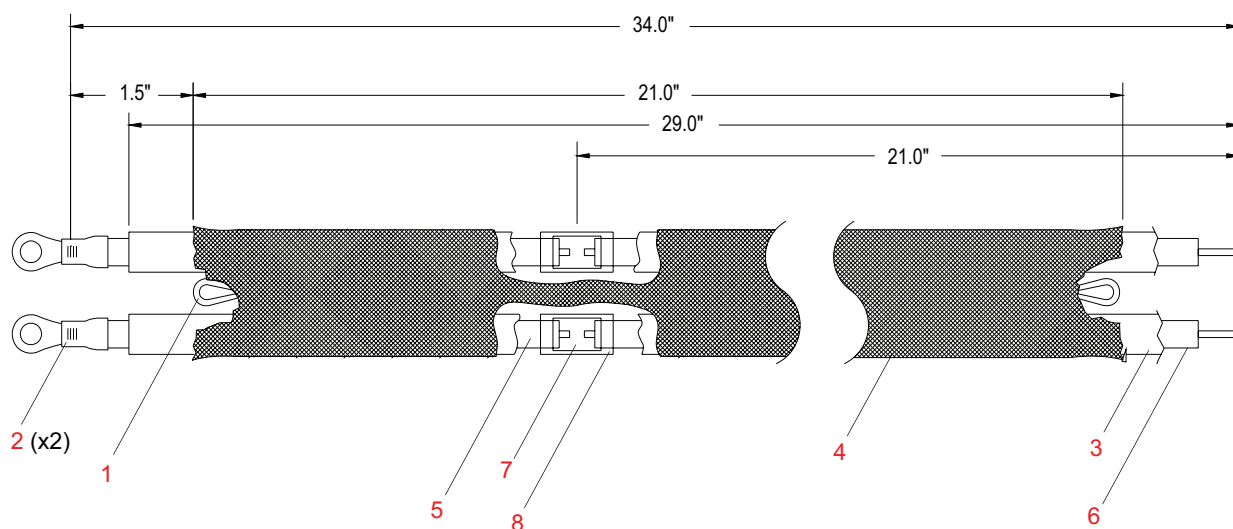


Figure 3-55: Ignitor to Lamp Socket Cable Assembly



## Shutter Harness Cable Assembly

25.9663.2040 Rev F

Refer to [Figure 3-56](#) and [Figure 3-57](#).

No.	Item	Qty.	UM.	Description
1	04.9663.2040.00	1	EA	LABEL SET, SHUTTER HARNESS
2	52.6610.0040	1	EA	HOUSING, 40POS 26-22AWG UNLOADED MT RECEPT DBL ROW
	52.8351.0004	32	EA	CONTACT, 26-22 AWG RECP MTE
3	52.6224.1040	1	EA	COVER, FRONT 40POS MT LATCHING
4	52.6224.2040	1	EA	COVER, BACK 40POS MT
5	52.6661.0006	8	EA	CONN, RECEPT 6CIR WIRE TO WIRE 1.25MM PITCH
6	52.8387.0001	32	EA	CONTACT, 26-28AWG FEMALE CRIMP 1.25MM PITCH (REEL)
7	55.2186.0001	15	EA	CABLE TIE, .10"WD 4.00"LG SMALL
8	55.6699.0004	0.5	FT	SLEEVING, 3/4"NOM.DIA. POLY EXP BRAIDED
9	73.5126.0123	19.67	FT	WIRE, 26AWG 4COND TW 300V 80C (BLK-BRN-RED-ORG)

TO VL1000 CONTROLLER PCB J10

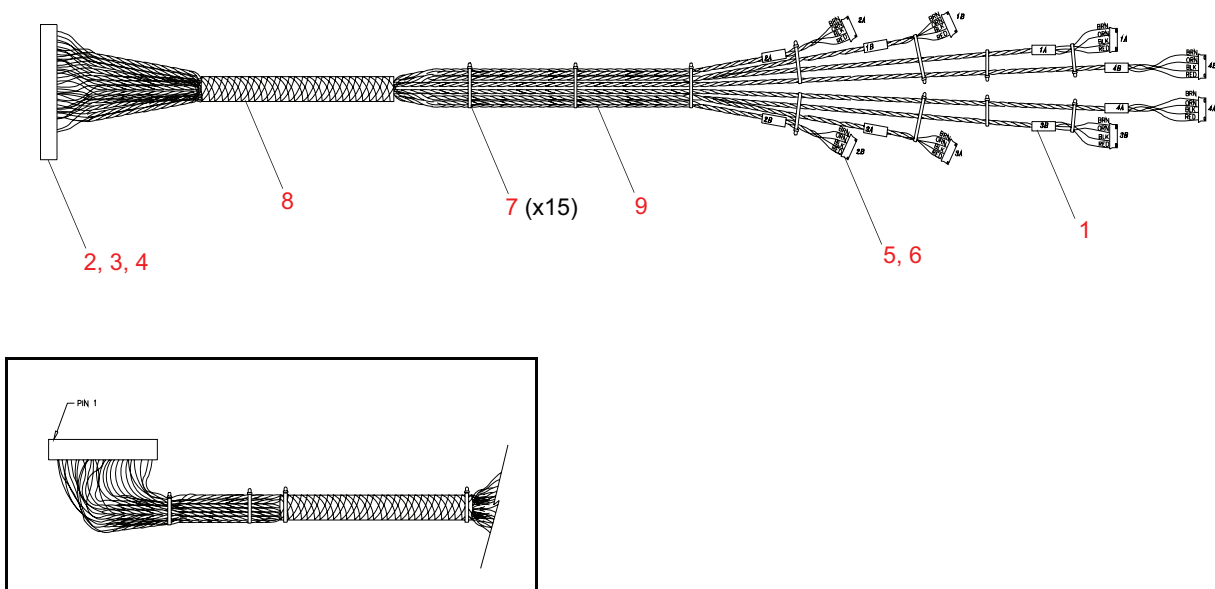


Figure 3-56: Shutter Harness Cable Assembly



## Color/Gobo/Lens Harness Cable Assembly

### 25.9663.2050 Rev K

Refer to [Figure 3-58](#) and [Figure 3-59](#).

No.	Item	Qty.	UM.	Description
1	04.9663.2050.00	1	EA	LABEL SET, COLOR/GOBO/LENS HARNESS
2	52.6610.0017	1	EA	HOUSING, 50POS 26-22AWG UNLOADED MT RECEPT DBL ROW
	53.8351.0004	48	EA	CONTACT, 26-22 AWG RECP MTE
3	52.6224.1050	1	EA	COVER, FRONT 50POS MT LATCHING
4	52.6224.2050	1	EA	COVER, BACK 50POS MT
5	52.6467.0003	1	EA	CONN, FEM PLUG 3 POS 30-24 AWG CRIMP PHR
6	52.6467.0004	1	EA	CONN, FEM PLUG 4 POS 30-24 AWG CRIMP PHR
7	52.6467.0024	6	EA	CONTACT, SOCKET 30-24AWG CRIMP (REEL) PH (JST)
8	52.6524.0002	1	EA	CONN, HOUSING 2POS RECEPTACLE
9	52.6524.0004	1	EA	CONN, HOUSING 4POS RECEPTACLE
10	52.6661.0006	4	EA	CONN, RECEPT 6CIR WIRE TO WIRE 1.25MM PITCH
11	52.6662.0006	6	EA	HOUSING, 6POS 125V/2A 2.00MMPITCH
12	52.8346.0001	6	EA	CONTACT, 24-30AWG FEMALE CRIMP
13	52.8387.0001	16	EA	CONTACT, 26-28AWG FEMALE CRIMP 1.25MM PITCH (REEL)
14	52.8388.0001	24	EA	CONTACT, 24-30AWG FEMALE CRIMP 2.00MMPITCH (REEL)
15	55.2186.0001	12	EA	CABLE TIE, .10"WD 4.00"LG SMALL
16	55.6699.0004	0.50	FT	SLEEVING, 3/4"NOM.DIA. POLY EXP BRAIDED
17	73.5116.0123	14.25	FT	WIRE, 24AWG 4COND TW 300V 80C <BLK-BRN-RED-ORG> UL1061
18	73.5126.0002	2.67	FT	WIRE, 26AWG 2COND 300V 80C <BLK-RED> UL1061, 19STRND
19	73.5126.0029	5.92	FT	WIRE, 26AWG 3COND 300V 80C <BLK-RED-WHT> UL1061, 19STRND
20	73.5126.0123	11.42	FT	WIRE, 26AWG 4COND TW 300V 80C (BLK-BRN-RED-ORG)
21	73.7094.0001	.17	FT	WIRE, 26AWG, TEFLON, RED, 19 STRAND





## Dimmer to LVS Cable Assembly

25.9663.2826 Rev A

Refer to [Figure 3-60](#).

No.	Item	Qty.	UM.	Description
1	52.8313.0001	2	EA	RECEPT, FASTON 1/4" 18-14 AWG FLAG DBL CRIP
2	52.8362.0001	2	EA	TERM, RING #6 BLUE 16-14 AWG INS SMALL DIAM
3	55.2186.0001	1	EA	CABLE TIE, .10" X 4" SMALL
4	73.6016.0009	1.5	FT	WIRE, 16 AWG 600V 105C PVC WHT UL1015
5	73.6016.0010	1.5	FT	WIRE, 16 AWG 600V 105C PVC BLK UL1015

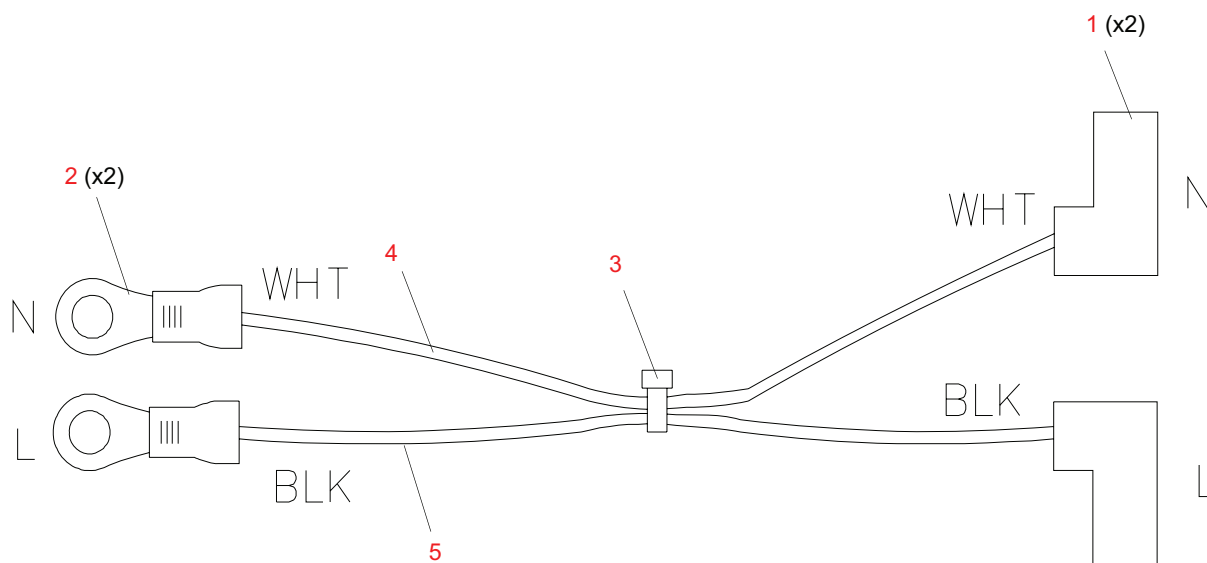


Figure 3-60: Dimmer to LVS Cable Assembly

## Dimmer to Controller Cable Assembly

25.9663.2026 Rev 0

Refer to [Figure 3-61](#).

No.	Item	Qty.	UM.	Description
1	52.6396.2403	2	EA	RECEPT, 3POS MTA100 W/POL TAB 24AWG
2	73.5119.0246	3.50	FT	WIRE, 24AWG 3COND TW (RED-YEL-BLU) UL1213

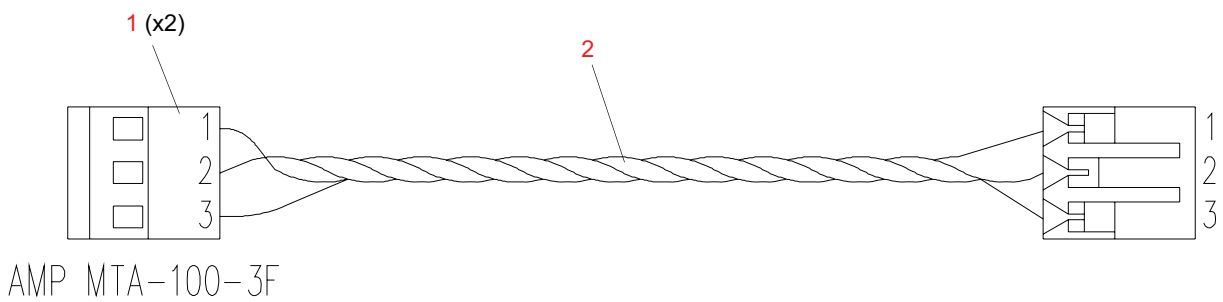


Figure 3-61: Dimmer to LVS Cable Assembly

## Dimmer to Lamp Socket Cable Assembly

25.9663.2037 Rev 0

Refer to Figure 3-62.

No.	Item	Qty.	UM.	Description
1	25.9663.2018	1	EA	CABLE ASSY, HEAD TO BACKCAP GND
2	52.8313.0001	2	EA	RECEPT, FASTON 1/4" 18-14AWG FLAG DBLCRP
3	52.8386.0001	2	EA	CONN., BUTT SPLICE 16-22AWG UNINSULATED
4	55.2186.0002	1	EA	CABLE TIE, .09" WD, 3.750" LG TEFZEL
5	55.2200.0003	0.33	FT	HEATSHRINK, 3/16" VITON
6	55.2260.0133	4.0	FT	SLEEVING, FIBERGLASS, 0.133" ID
7	55.2260.0294	1.75	FT	SLEEVING, FIBERGLASS, 0.294" ID
8	73.6616.0011	3.50	FT	WIRE, 16 AWG 600V 600C MICA TAPE TAN
9	73.7089.0001	6.67	FT	WIRE, 22 AWG BRN TEFLON STRANDED
10	73.7089.0006	6.67	FT	WIRE, 22 AWG BLU TEFLON STRANDED

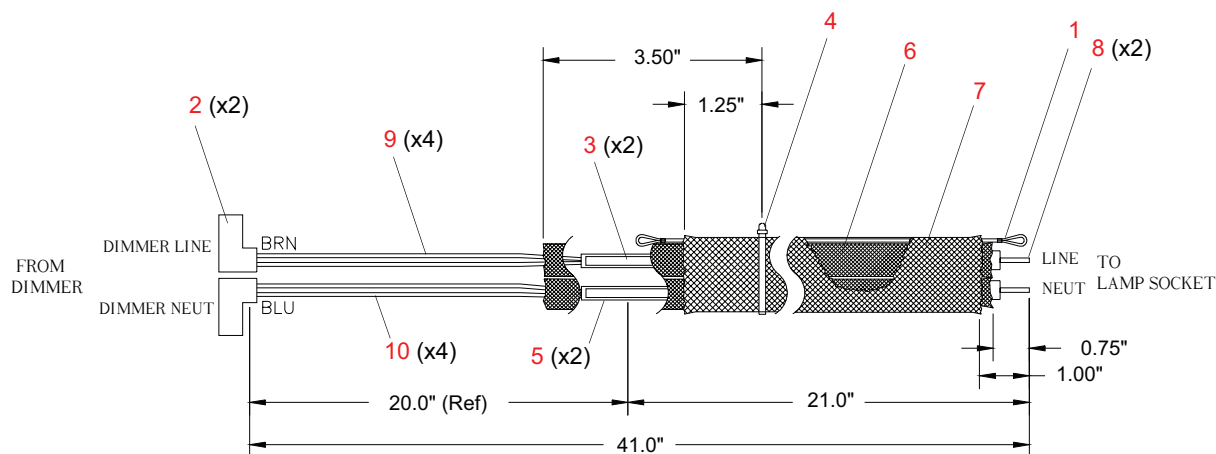


Figure 3-62: Dimmer to LVS Cable Assembly



## 575W Ballast I/O Cable Assembly

25.9663.1907 Rev C

Refer to [Figure 3-63](#).

No.	Item	Qty.	UM.	Description
1	52.6231.0001	1	EA	PLUG HOUSING, MNLOK PLUG 3POS
2	52.6396.2204	1	EA	RECEPT, 4POS MTA100 W/POL TAB RED CLSD END
3	52.6400.0111	1	EA	RECEPT, 17-9 STD SEX CPC 600V KEY A SQ FLANGE
4	52.8201.0005	3	EA	PIN, GOLD 24-20AWG TYPE3+ REEL .040-.080 INS DIA
5	52.8202.0001	5	EA	PIN, GOLD 18-16AWG TYPE 3+ REEL .080-.100 INS DIA
6	52.8202.0011	1	EA	PIN, GND GOLD 18-16AWG TYPE 3+ REEL .080-.100 INS DIA
7	52.8231.0005	3	EA	TERM, RING #6 BLUE 16-14 AWG REEL PIDG
8	52.8257.0002	2	EA	PIN, PHOS BRZ 20-14AWG (REEL) MNLOK .060"- .130"INS DIA
9	52.8313.0001	2	EA	RCPT, FASTON 1/4" 18-14 AWG FLAG DBL CRP (REEL)
10	52.8314.0001	1	EA	PIN, GND 20-14AWG (REEL) MNLOK .060"- .130"INS DIA
11	55.2186.0001	5	EA	CABLE TIE, .10"WD 4.00"LG SMALL
12	55.2199.1500	.19	FT	HEATSHRINK, 1 1/2" BLACK
13	67.4018.0001	1	EA	FERRITE, 26 X 28.5 X 13MM, CYLINDRICAL CORE
14	73.3522.0002	0.25	FT	WIRE, 22AWG 300V 105C PVC RED UL1569
15	73.3522.0009	0.25	FT	WIRE, 22AWG 300V 105C PVC WHT UL1569
16	73.3522.0010	0.25	FT	WIRE, 22AWG 300V 105C PVC BLK UL1569
17	73.6016.0003	2.19	FT	WIRE, 16AWG 600V 105C PVC ORG UL1015
18	73.6016.0007	2.02	FT	WIRE, 16AWG 600V 105C PVC VIO UL1015
19	73.6016.0009	0.50	FT	WIRE, 16AWG 600V 105C PVC WHT UL1015
20	73.6016.0010	0.50	FT	WIRE, 16AWG 600V 105C PVC BLK UL1015
21	73.6016.0504	1.33	FT	WIRE, 16AWG 600V 105C PVC GRN/YEL UL1015

### 575W Ballast I/O Cable Assembly (continued)

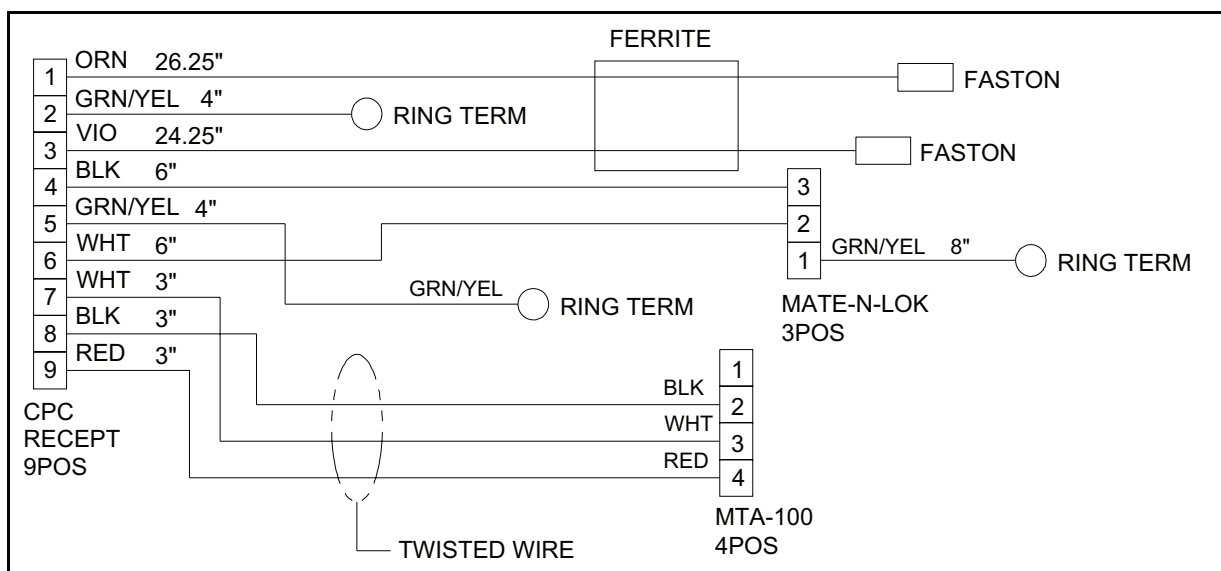
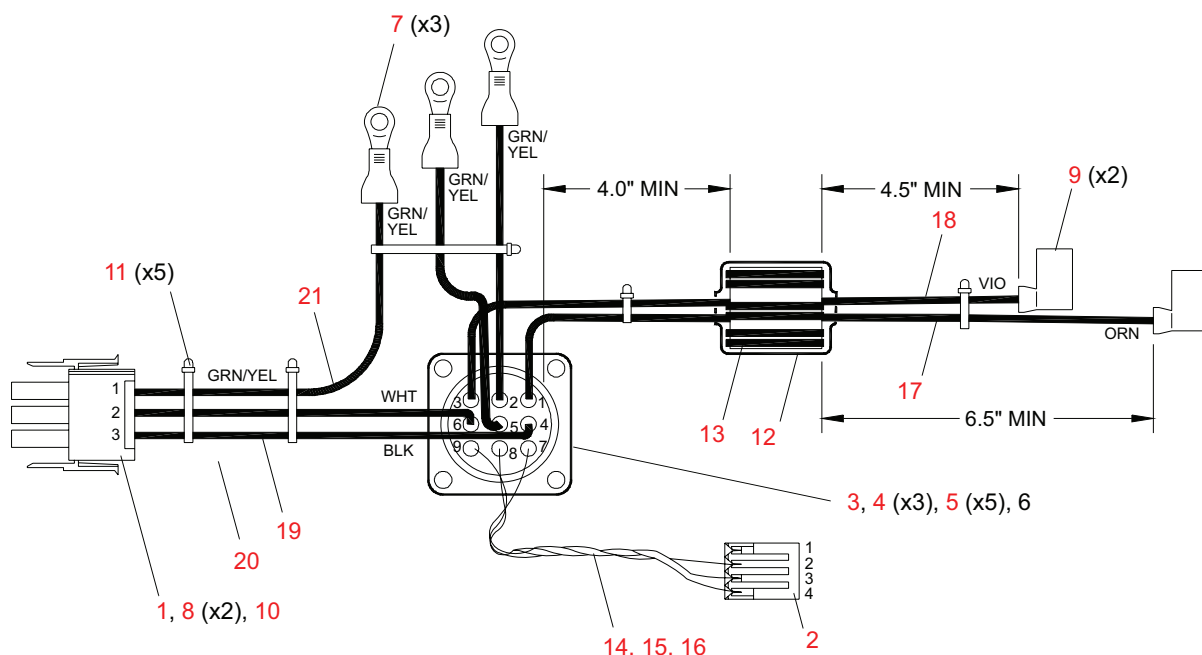


Figure 3-63: 575W Ballast I/O Cable Assembly